

UT232120M-HE



| | | | |
|-------------------------|---------------|------------------------------|---------------|
| Ballast Type: | Electronic | Starting Method: | Instant Start |
| Lamp Connection: | Parallel | Input Voltage: | 120 to 277 |
| Input Frequency: | 50/60 Hz | Sound Rating: | A |
| Remote Mounting: | 18 ft Maximum | Warranty: | Five Years |
| EOL Protection: | No | Max Case Temperature: | 70°C |

ELECTRICAL SPECIFICATIONS

| Lamp Type | # of Lamps | Rated Lamp Watts | Min. Start Temp. (°F/°C) | Input Current (Amps) | Input Power (Watts) | Ballast Factor | Max THD % | Power Factor | Max L.C.C.F. | B.E.F |
|----------------|------------|------------------|--------------------------|----------------------|---------------------|----------------|-----------|--------------|--------------|-------|
| F40T8 | 1 | 40 | 60 / 16 | 0.34 / 0.16 | 41 | 0.86 | 10 | 0.99 | 1.60 | 2.10 |
| *F32T8 | 2 | 32 | 0 / -18 | 0.46 / 0.20 | 55 | 0.87 | | | | 1.58 |
| | 1 | | | 0.30 / 0.13 | 35 | 1.05 | | | | 3.00 |
| F32T8/ES (30W) | 2 | 30 | 60 / 16 | 0.43 / 0.19 | 51 | 0.87 | | | | 1.71 |
| | 1 | | | 0.27 / 0.12 | 32 | 1.05 | | | | 3.28 |
| F32T8/ES (28W) | 2 | 28 | 60 / 16 | 0.39 / 0.18 | 45 | 0.87 | | | | 1.93 |
| | 1 | | | 0.24 / 0.12 | 29 | 1.05 | | | | 3.62 |
| F32T8/ES (25W) | 2 | 25 | 60 / 16 | 0.37 / 0.16 | 44 | 0.87 | | | | 1.98 |
| | 1 | | | 0.23 / 0.10 | 27 | 1.05 | | | | 3.89 |
| F25T8 | 2 | 25 | 0 / -18 | 0.37 / 0.16 | 44 | 0.88 | | | | 2.00 |
| | 1 | | | 0.24 / 0.10 | 28 | 1.05 | | | | 3.75 |
| F17T8 | 2 | 17 | 0 / -18 | 0.26 / 0.12 | 31 | 0.90 | | | | 2.90 |
| | 1 | | | 0.17 / 0.08 | 20 | 1.06 | | | | 15 |

REGULATORY COMPLIANCE

- Meets ANSI Standard C82.11
- Meets ANSI Standard C62.41
- Meets FCC Part 18 Class A for EMI & RFI (Non-Consumer Limits)
- No PCB's
- cULus Listed (Class P, Type 1 Outdoor, Type HL)
- RoHS Compliant



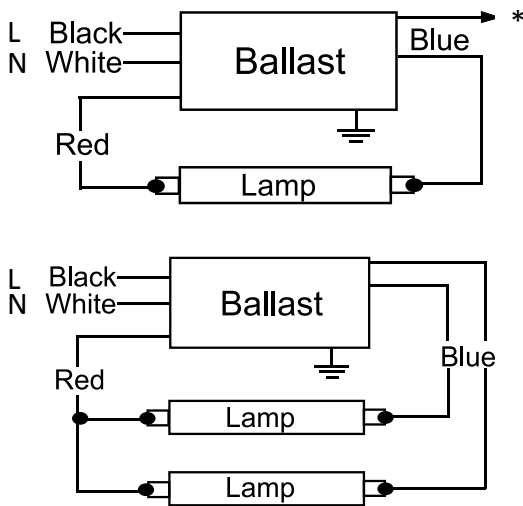
ULTRASAVE LIGHTING LTD.

12-140 AMBER STREET, MARKHAM, ON L3R 3J8 TEL 905.940.0888 FAX 905.940.0338 WWW.ULTRASAVE.CA

Data published here is based on the result of a test under a controlled environment. Actual performance can vary depending on operating conditions. Specifications are subject to change without notice. H1911USL

PHYSICAL CHARACTERISTICS

WIRING DIAGRAM



*Cap off one blue wire separately

LEAD LENGTH

| Wire | in |
|-------|----|
| Black | 19 |
| White | 19 |
| Blue | 31 |
| Red | 47 |

CASE DIMENSIONS

| | |
|--------------|-------|
| Overall (L) | 9.50" |
| Width (W) | 1.72" |
| Height (H) | 1.18" |
| Mounting (M) | 8.90" |

ORDERING INFORMATION

| Model # | Carton Quantity | Carton Weight | Carton Dimensions LxWxH | Skid Quantity |
|--------------|-----------------|---------------|-------------------------|---------------|
| UT232120M-HE | 20 | 29.10 lbs | 11.02" x 10.63" x 9.06" | 1000 |

ULTRASAVE LIGHTING LTD.

12-140 AMBER STREET, MARKHAM, ON L3R 3J8

TEL 905.940.0888

FAX 905.940.0338

WWW.ULTRASAVE.CA

Data published here is based on the result of a test under a controlled environment. Actual performance can vary depending on operating conditions. Specifications are subject to change without notice. H1911USL