

## PR432347



<b>Ballast Type:</b>	Electronic	<b>Starting Method:</b>	Rapid Start
<b>Lamp Connection:</b>	Series	<b>Input Voltage:</b>	347
<b>Input Frequency:</b>	50/60 Hz	<b>Sound Rating:</b>	A
<b>Remote Mounting:</b>	18 ft Maximum	<b>Warranty:</b>	Five Years

## ELECTRICAL SPECIFICATIONS

Lamp Type	# of Lamps	Rated Lamp Watts	Min. Start Temp. (°F/°C)	Input Current (Amps)	Input Power (Watts)	Ballast Factor	Max THD %	Power Factor	Max L.C.C.F.	B.E.F																			
F32T8	4	32	32 / 0	0.35	121	0.88	10	0.99	1.70	0.73																			
	3			0.26	89	0.94				1.06																			
F32T8/ES (30W)	4	30	60 / 16	0.32	111	0.90				10	0.99	1.70	0.81																
	3			0.24	83	0.94							1.13																
F32T8/ES (28W)	4	28		60 / 16	0.30	104							0.90	10	0.99	1.70	0.87												
	3				0.22	77							0.94				1.22												
F32T8/ES (25W)	4	25			60 / 16	0.29							100				0.91	10	0.99	1.70	0.91								
	3					0.21							73				0.94				1.29								
F25T8	4	25				32 / 0							0.29				100				0.95	10	0.99	1.70	0.95				
	3												0.22				74				0.95				1.28				
F17T8	4	17											32 / 0				0.23				79				0.94	10	0.99	1.70	1.19
	3																0.16				56				0.94				1.68

## REGULATORY COMPLIANCE

- Meets ANSI Standard C82.11
- Meets ANSI Standard C62.41
- Meets FCC Part 18 Class A for EMI & RFI (Non-Consumer Limits)
- No PCB's
- cULus Listed (Class P, Type 1 Outdoor, Type HL)
- RoHS Compliant



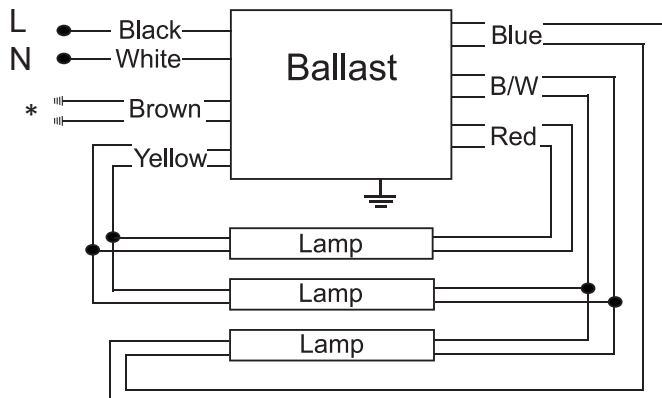
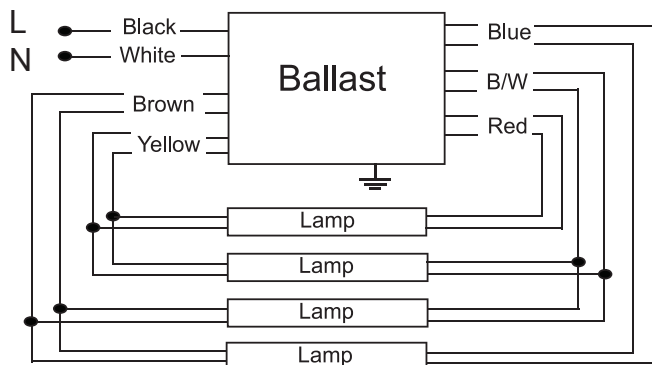
ULTRASAVE LIGHTING LTD.

12-140 AMBER STREET, MARKHAM, ON L3R 3J8 TEL 905.940.0888 FAX 905.940.0338 WWW.ULTRASAVE.CA

Data published here is based on the result of a test under a controlled environment. Actual performance can vary depending on operating conditions. Specifications are subject to change without notice. D1712USL

## PHYSICAL CHARACTERISTICS

### WIRING DIAGRAM



\*Cap off each Brown wire separately

### LEAD LENGTH

Wire	in
Black	18
White	18
Blue	31
Red	31
Yellow	46
Brown	46
Blue/White	31

### CASE DIMENSIONS

Overall (L)	9.50"
Width (W)	1.72"
Height (H)	1.18"
Mounting (M)	8.90"

## ORDERING INFORMATION

Model #	Carton Quantity	Carton Weight	Carton Dimensions LxWxH	Skid Quantity
PR432347	20	29.80 lbs	11.02" x 10.63" x 9.06"	1000

### ULTRASAVE LIGHTING LTD.

12-140 AMBER STREET, MARKHAM, ON L3R 3J8

TEL 905.940.0888

FAX 905.940.0338

WWW.ULTRASAVE.CA

Data published here is based on the result of a test under a controlled environment. Actual performance can vary depending on operating conditions. Specifications are subject to change without notice. D1712USL