

## PR432120M



<b>Ballast Type:</b>	Electronic	<b>Starting Method:</b>	Rapid Start
<b>Lamp Connection:</b>	Series	<b>Input Voltage:</b>	120 to 277
<b>Input Frequency:</b>	50/60 Hz	<b>Sound Rating:</b>	A
<b>Remote Mounting:</b>	18 ft Maximum	<b>Warranty:</b>	Five Years

## ELECTRICAL SPECIFICATIONS

Lamp Type	# of Lamps	Rated Lamp Watts	Min. Start Temp. (°F/°C)	Input Current (Amps)	Input Power (Watts)	Ballast Factor	Max THD %	Power Factor	Max L.C.C.F.	B.E.F																			
F32T8	4	32	32 / 0	0.92 / 0.40	110	0.88	10	0.99	1.70	0.80																			
	3			0.79 / 0.34						94	0.89	0.95																	
F32T8/ES (30W)	4	30	60 / 16	0.86 / 0.38	103	0.88				1.70	0.99	1.70	0.85																
	3			0.73 / 0.32	87	0.89							1.02																
F32T8/ES (28W)	4	28		60 / 16	0.86 / 0.38	96							0.88	1.70	0.99	1.70	0.92												
	3				0.69 / 0.30	82							0.89				1.09												
F32T8/ES (25W)	4	25			60 / 16	0.80 / 0.36							92				0.88	1.70	0.99	1.70	0.96								
	3					0.65 / 0.29							77				0.89				1.16								
F25T8	4	25				32 / 0							0.84 / 0.36				92				0.92	1.70	0.99	1.70	1.00				
	3												0.66 / 0.29				78				0.93				1.19				
F17T8	4	17											32 / 0				0.67 / 0.29				79				1.00	1.70	0.99	1.70	1.27
	3																0.50 / 0.22				59				1.01				1.71

## REGULATORY COMPLIANCE

- Meets ANSI Standard C82.11
- Meets ANSI Standard C62.41
- Meets FCC Part 18 Class A for EMI & RFI (Non-Consumer Limits)
- No PCB's
- cULus Listed (Class P, Type 1 Outdoor, Type HL)
- RoHS Compliant



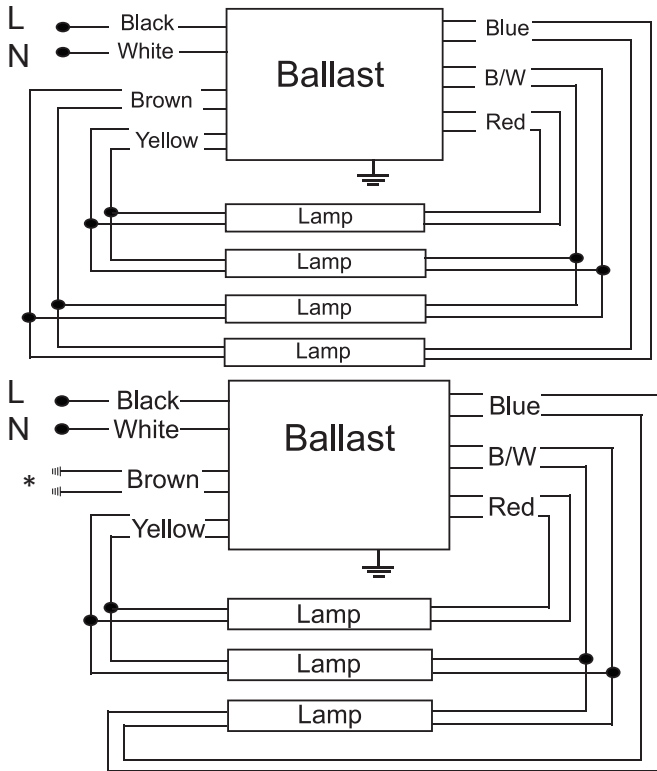
ULTRASAVE LIGHTING LTD.

12-140 AMBER STREET, MARKHAM, ON L3R 3J8 TEL 905.940.0888 FAX 905.940.0338 WWW.ULTRASAVE.CA

Data published here is based on the result of a test under a controlled environment. Actual performance can vary depending on operating conditions. Specifications are subject to change without notice. E1512USL

## PHYSICAL CHARACTERISTICS

### WIRING DIAGRAM



\*Cap off each Brown wire separately

### LEAD LENGTH

Wire	in
Black	18
White	18
Blue	31
Red	31
Yellow	46
Brown	46
Blue/White	31

### CASE DIMENSIONS

Overall (L)	9.50"
Width (W)	1.72"
Height (H)	1.18"
Mounting (M)	8.90"

## ORDERING INFORMATION

Model #	Carton Quantity	Carton Weight	Carton Dimensions LxWxH	Skid Quantity
PR432120M	20	29.80 lbs	11.02" x 10.63" x 9.06"	1000

### ULTRASAVE LIGHTING LTD.

12-140 AMBER STREET, MARKHAM, ON L3R 3J8

TEL 905.940.0888

FAX 905.940.0338

WWW.ULTRASAVE.CA

Data published here is based on the result of a test under a controlled environment. Actual performance can vary depending on operating conditions. Specifications are subject to change without notice. E1512USL