

## PR432120M-PP-HE



<b>Ballast Type:</b>	Electronic	<b>Starting Method:</b>	Programmed Start
<b>Lamp Connection:</b>	Parallel	<b>Input Voltage:</b>	120 to 277
<b>Input Frequency:</b>	50/60 Hz	<b>Sound Rating:</b>	A
<b>Remote Mounting:</b>	18 ft Maximum	<b>Warranty:</b>	Five Years

## ELECTRICAL SPECIFICATIONS

Lamp Type	# of Lamps	Rated Lamp Watts	Min. Start Temp. (°F/°C)	Input Current (Amps)	Input Power (Watts)	Ballast Factor	Max THD %	Power Factor	Max L.C.C.F.	B.E.F
F40T8	3	40	0 / -18	0.90 / 0.39	107	0.90	10	0.99	1.60	0.84
F32T8 *	4	32		0.91 / 0.40	110	0.88				0.80
	3			0.74 / 0.33	89	0.95				1.07
F32T8/ES (30W)	4	30	60 / 16	0.85 / 0.37	101	0.88				0.87
	3			0.70 / 0.30	83	0.95				1.14
F32T8/ES (28W)	4	28		0.77 / 0.34	93	0.88				0.95
	3			0.65 / 0.28	77	0.95				1.23
F32T8/ES (25W)	4	25		0.74 / 0.33	88	0.88				1.00
	3			0.60 / 0.26	72	0.95				1.32
F25T8	4	25		0 / -18	0.71 / 0.31	86				0.89
	3				0.58 / 0.26	71	0.96	1.35		
F17T8	4	17			0.51 / 0.23	61	0.89	1.46		
	3				0.42 / 0.19	51	0.97	1.90		

## REGULATORY COMPLIANCE

- Meets ANSI Standard C82.11
- Meets ANSI Standard C62.41
- Meets FCC Part 18 Class A for EMI & RFI (Non-Consumer Limits)
- No PCB's
- cULus Listed (Class P, Type 1 Outdoor, Type HL)
- RoHS Compliant



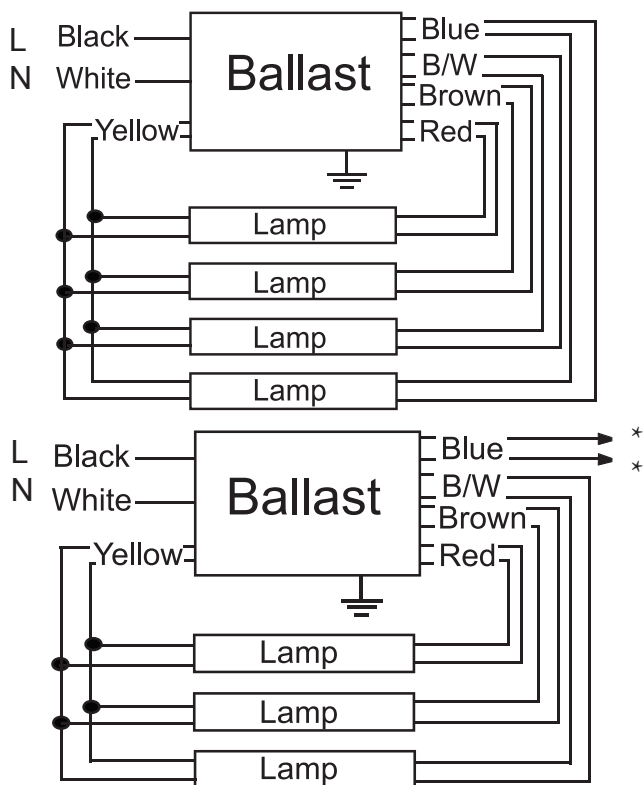
ULTRASAVE LIGHTING LTD.

12-140 AMBER STREET, MARKHAM, ON L3R 3J8 TEL 905.940.0888 FAX 905.940.0338 WWW.ULTRASAVE.CA

Data published here is based on the result of a test under a controlled environment. Actual performance can vary depending on operating conditions. Specifications are subject to change without notice. H2610USL

## PHYSICAL CHARACTERISTICS

### WIRING DIAGRAM



\* Cap off each blue wire separately

### LEAD LENGTH

Wire	in
Black	20
White	20
Blue	31
Red	31
Yellow	47
Brown	33
Blue/White	33

### CASE DIMENSIONS

Overall (L)	9.50"
Width (W)	1.72"
Height (H)	1.18"
Mounting (M)	8.90"

## ORDERING INFORMATION

Model #	Carton Quantity	Carton Weight	Carton Dimensions LxWxH	Skid Quantity
PR432120M-PP-HE	20	31.31 lbs	11.02" x 10.63" x 9.06"	1000

### ULTRASAVE LIGHTING LTD.

12-140 AMBER STREET, MARKHAM, ON L3R 3J8

TEL 905.940.0888

FAX 905.940.0338

WWW.ULTRASAVE.CA

Data published here is based on the result of a test under a controlled environment. Actual performance can vary depending on operating conditions. Specifications are subject to change without notice. H2610USL