

PR432120



Ballast Type:	Electronic	Starting Method:	Rapid Start
Lamp Connection:	Series	Input Voltage:	120
Input Frequency:	50/60 Hz	Sound Rating:	A
Remote Mounting:	18 ft Maximum	Warranty:	Five Years

ELECTRICAL SPECIFICATIONS

Lamp Type	# of Lamps	Rated Lamp Watts	Min. Start Temp. (°F/°C)	Input Current (Amps)	Input Power (Watts)	Ballast Factor	Max THD %	Power Factor	Max L.C.C.F.	B.E.F	
F32T8	4	32	32 / 0	1.02	121	0.88	10	0.99	1.60	0.73	
	3			0.78	93	0.90				0.97	
F32T8/ES (30W)	4	30	60 / 16	0.93	110	0.88				0.80	
	3			0.72	86	0.90				1.05	
F32T8/ES (28W)	4	28		0.86	102	0.88				0.86	
	3			0.68	80	0.90				1.13	
F32T8/ES (25W)	4	25		0.77	92	0.88				0.96	
	3			0.63	74	0.90				1.22	
F25T8	4	25		32 / 0	0.84	100				0.92	0.92
	3				0.64	76				0.94	1.24
F17T8	4	17			0.66	79				1.00	1.27
	3				0.47	56				1.00	1.79

REGULATORY COMPLIANCE

- Meets ANSI Standard C82.11
- Meets ANSI Standard C62.41
- Meets FCC Part 18 Class A for EMI & RFI (Non-Consumer Limits)
- No PCB's
- cULus Listed (Class P, Type 1 Outdoor, Type HL)
- RoHS Compliant



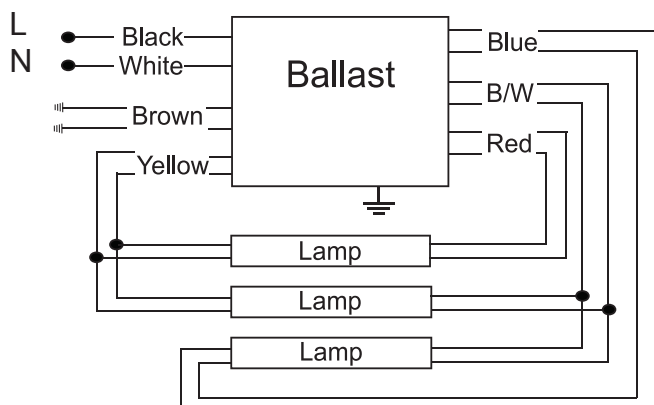
ULTRASAVE LIGHTING LTD.

12-140 AMBER STREET, MARKHAM, ON L3R 3J8 TEL 905.940.0888 FAX 905.940.0338 WWW.ULTRASAVE.CA

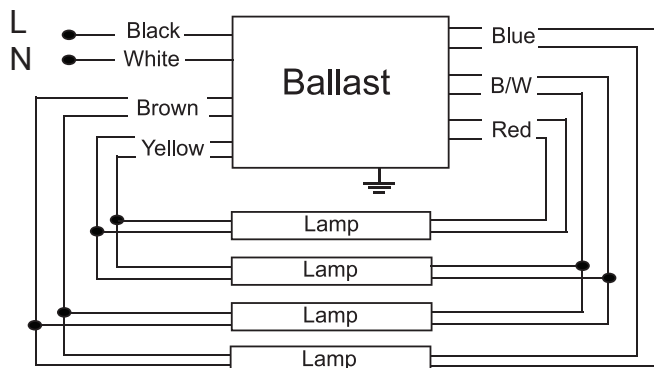
Data published here is based on the result of a test under a controlled environment. Actual performance can vary depending on operating conditions. Specifications are subject to change without notice. F2712USL

PHYSICAL CHARACTERISTICS

WIRING DIAGRAM



* Cap off each Brown wire separately



LEAD LENGTH

Wire	in
Black	18
White	18
Blue	31
Red	31
Yellow	46
Brown	46
Blue/White	31

CASE DIMENSIONS

Overall (L)	9.50"
Width (W)	1.72"
Height (H)	1.18"
Mounting (M)	8.90"

ORDERING INFORMATION

Model #	Carton Quantity	Carton Weight	Carton Dimensions LxWxH	Skid Quantity
PR432120	20	29.80 lbs	11.02" x 10.63" x 9.06"	1000

ULTRASAVE LIGHTING LTD.

12-140 AMBER STREET, MARKHAM, ON L3R 3J8

TEL 905.940.0888

FAX 905.940.0338

WWW.ULTRASAVE.CA

Data published here is based on the result of a test under a controlled environment. Actual performance can vary depending on operating conditions. Specifications are subject to change without notice. F2712USL