

PR332120M



Ballast Type:	Electronic	Starting Method:	Rapid Start
Lamp Connection:	Series	Input Voltage:	120 to 277
Input Frequency:	50/60 Hz	Sound Rating:	A
Remote Mounting:	18 ft Maximum	Warranty:	Five Years

ELECTRICAL SPECIFICATIONS

Lamp Type	# of Lamps	Rated Lamp Watts	Min. Start Temp. (°F/°C)	Input Current (Amps)	Input Power (Watts)	Ballast Factor	Max THD %	Power Factor	Max L.C.C.F.	B.E.F																			
F32T8	3	32	32 / 0	0.77 / 0.33	91	0.88	10	0.99	1.70	0.97																			
	2			0.62 / 0.28	74	1.17				1.58																			
F32T8/ES (30W)	2	30	60 / 16	0.73 / 0.33	90	0.88				10	0.99	1.70	0.98																
	3			0.57 / 0.26	69	1.17							1.70																
F32T8/ES (28W)	3	28		60 / 16	0.68 / 0.30	82							0.88	10	0.99	1.70	1.07												
	2				0.55 / 0.25	65							1.17				1.80												
F32T8/ES (25W)	3	25			60 / 16	0.64 / 0.29							78				0.88	10	0.99	1.70	1.13								
	2					0.51 / 0.23							61				1.17				1.92								
F25T8	3	25				32 / 0							0.65 / 0.28				77				0.91	10	0.99	1.70	1.18				
	2												0.50 / 0.23				60				1.23				2.05				
F17T8	3	17											32 / 0				0.51 / 0.22				61				0.91	10	0.99	1.70	1.49
	2																0.38 / 0.17				45				1.30				2.89

REGULATORY COMPLIANCE

- Meets ANSI Standard C82.11
- Meets ANSI Standard C62.41
- Meets FCC Part 18 Class A for EMI & RFI (Non-Consumer Limits)
- No PCB's
- cULus Listed (Class P, Type 1 Outdoor, Type HL)
- RoHS Compliant



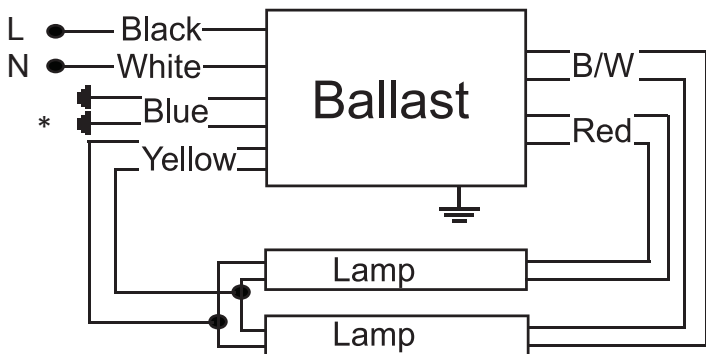
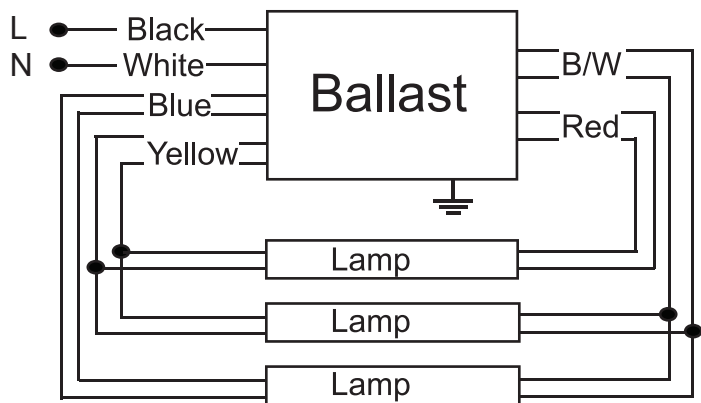
ULTRASAVE LIGHTING LTD.

12-140 AMBER STREET, MARKHAM, ON L3R 3J8 TEL 905.940.0888 FAX 905.940.0338 WWW.ULTRASAVE.CA

Data published here is based on the result of a test under a controlled environment. Actual performance can vary depending on operating conditions. Specifications are subject to change without notice. D2512USL

PHYSICAL CHARACTERISTICS

WIRING DIAGRAM



*Cap off each Blue wire separately

LEAD LENGTH

Wire	in
Black	18
White	18
Blue	31
Red	31
Yellow	46
Blue/White	31

CASE DIMENSIONS

Overall (L)	9.50"
Width (W)	1.72"
Height (H)	1.18"
Mounting (M)	8.90"

ORDERING INFORMATION

Model #	Carton Quantity	Carton Weight	Carton Dimensions LxWxH	Skid Quantity
PR332120M	20	29.80 lbs	11.02" x 10.63" x 9.06"	1000

ULTRASAVE LIGHTING LTD.

12-140 AMBER STREET, MARKHAM, ON L3R 3J8

TEL 905.940.0888

FAX 905.940.0338

WWW.ULTRASAVE.CA

Data published here is based on the result of a test under a controlled environment. Actual performance can vary depending on operating conditions. Specifications are subject to change without notice. D2512USL