

PR332120



Ballast Type:	Electronic	Starting Method:	Rapid Start
Lamp Connection:	Series	Input Voltage:	120
Input Frequency:	50/60 Hz	Sound Rating:	A
Remote Mounting:	18 ft Maximum	Warranty:	Five Years

ELECTRICAL SPECIFICATIONS

Lamp Type	# of Lamps	Rated Lamp Watts	Min. Start Temp. (°F/°C)	Input Current (Amps)	Input Power (Watts)	Ballast Factor	Max THD %	Power Factor	Max L.C.C.F.	B.E.F
F32T8	3	32	32 / 0	0.77	91	0.88	10	0.99	1.70	0.97
F32T8/ES (30W)		30	60 / 16	0.76	90	0.90				1.00
F32T8/ES (28W)		28		0.71	84	0.90				1.07
F32T8/ES (25W)		25		0.64	76	0.91				1.20
F25T8		25		32 / 0	0.65	77				0.95
F17T8		17	0.51		61	1.00				1.64

REGULATORY COMPLIANCE

- Meets ANSI Standard C82.11
- Meets ANSI Standard C62.41
- Meets FCC Part 18 Class A for EMI & RFI (Non-Consumer Limits)
- No PCB's
- cULus Listed (Class P, Type 1 Outdoor, Type HL)
- RoHS Compliant



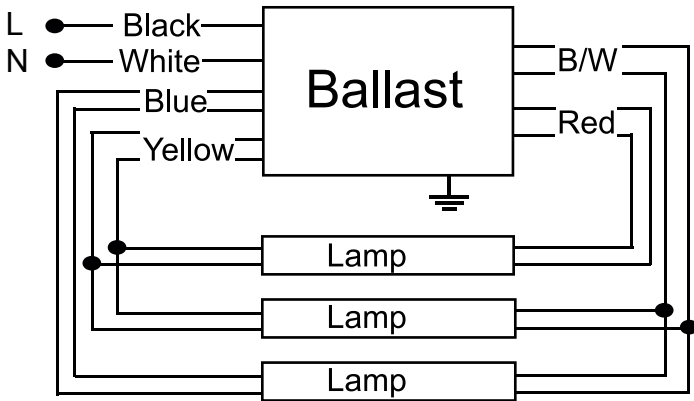
ULTRASAVE LIGHTING LTD.

12-140 AMBER STREET, MARKHAM, ON L3R 3J8 TEL 905.940.0888 FAX 905.940.0338 WWW.ULTRASAVE.CA

Data published here is based on the result of a test under a controlled environment. Actual performance can vary depending on operating conditions. Specifications are subject to change without notice. J2607USL

PHYSICAL CHARACTERISTICS

WIRING DIAGRAM



LEAD LENGTH

Wire	in
Black	18
White	18
Blue	31
Red	31
Yellow	46
Blue/White	31

CASE DIMENSIONS

Overall (L)	9.50"
Width (W)	1.72"
Height (H)	1.18"
Mounting (M)	8.90"

ORDERING INFORMATION

Model #	Carton Quantity	Carton Weight	Carton Dimensions LxWxH	Skid Quantity	Bulk Quantity
PR332120	20	29.80 lbs	11.02" x 10.63" x 9.06"	1000	1104

ULTRASAVE LIGHTING LTD.

12-140 AMBER STREET, MARKHAM, ON L3R 3J8

TEL 905.940.0888

FAX 905.940.0338

WWW.ULTRASAVE.CA

Data published here is based on the result of a test under a controlled environment. Actual performance can vary depending on operating conditions. Specifications are subject to change without notice. J2607USL