

## PR286347



<b>Ballast Type:</b>	Electronic	<b>Starting Method:</b>	Rapid Start
<b>Lamp Connection:</b>	Series	<b>Input Voltage:</b>	347 +/- 10%
<b>Input Frequency:</b>	50/60 Hz	<b>Sound Rating:</b>	A
<b>Remote Mounting:</b>	18 ft Maximum	<b>Warranty:</b>	Five Years
<b>End-of-Life Protection:</b>	No	<b>Max. Case Temperature:</b>	90°C

## ELECTRICAL SPECIFICATIONS

Lamp Type	# of Lamps	Rated Lamp Watts	Min. Start Temp. (°F/°C)	Input Current (Amps)	Input Power (Watts)	Ballast Factor	Max THD %	Power Factor	Max. L.C.C.F.	B.E.F
F96T8HO	2	86	14 / -10	0.48	164	0.96	10	0.99	1.50	0.59
	1			0.28	98	1.04				1.06
F72T8HO	2	65		0.40	135	0.94				0.70
F60T8HO	2	55		0.36	123	0.97				0.79
F48T8HO	2	44		0.29	100	1.00				1.00

## REGULATORY COMPLIANCE

- Meets ANSI Standard C82.11
- Meets ANSI Standard C62.41
- Meets FCC Part 18 Class A for EMI & RFI (Non-Consumer Limits)
- No PCB's
- cULus Listed (Class P, Type 1 Outdoor, Type HL)
- RoHS Compliant

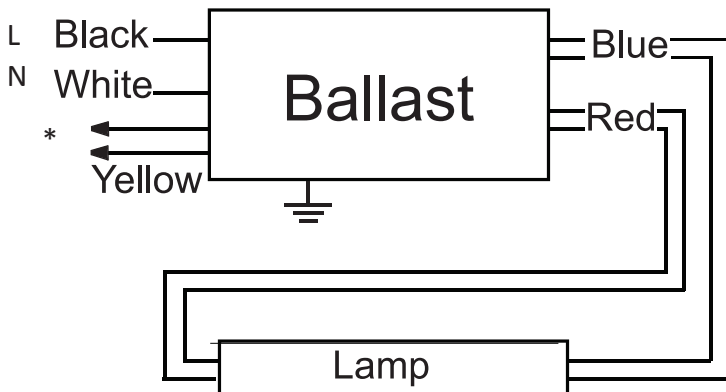


ULTRASAVE LIGHTING LTD.

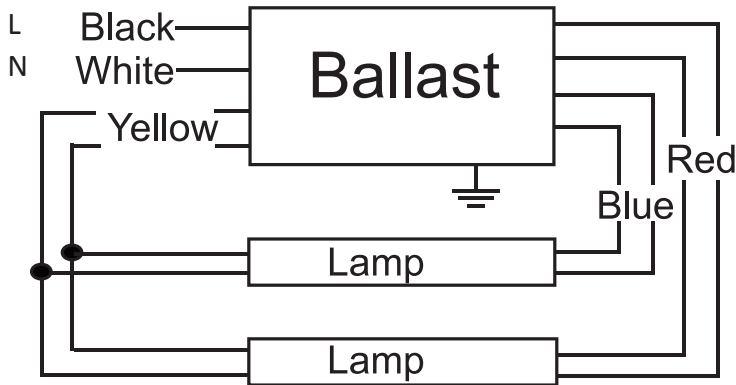
12-140 AMBER STREET, MARKHAM, ON L3R 3J8 TEL 905.940.0888 FAX 905.940.0338 WWW.ULTRASAVE.CA

## PHYSICAL CHARACTERISTICS

### WIRING DIAGRAM



\*Cap off each Yellow wire separately



### LEAD LENGTH

Wire	in
Black	19
White	19
Blue	31
Red	31
Yellow	46

### CASE DIMENSIONS

Overall (L)	9.50"
Width (W)	2.40"
Height (H)	1.44"
Mounting (M)	8.90"

## ORDERING INFORMATION

Model #	Carton Weight	Carton Dimensions LxWxH	Carton Quantity	Skid Quantity
PR286347	46.30 lbs	14.57" x 10.63" x 10.24"	20	700

### ULTRASAVE LIGHTING LTD.

12-140 AMBER STREET, MARKHAM, ON L3R 3J8

TEL 905.940.0888

FAX 905.940.0338

WWW.ULTRASAVE.CA