

## PR232347



<b>Ballast Type:</b>	Electronic	<b>Starting Method:</b>	Rapid Start
<b>Lamp Connection:</b>	Series	<b>Input Voltage:</b>	347 +/- 10%
<b>Input Frequency:</b>	50/60 Hz	<b>Sound Rating:</b>	A
<b>Remote Mounting:</b>	18 ft Maximum	<b>Warranty:</b>	Five Years
<b>End-of-Life Protection:</b>	No	<b>Max. Case Temperature:</b>	90°C

## ELECTRICAL SPECIFICATIONS

Lamp Type	# of Lamps	Rated Lamp Watts	Min. Start Temp. (°F/°C)	Input Current (Amps)	Input Power (Watts)	Ballast Factor	Max THD %	Power Factor	Max. L.C.C.F.	B.E.F	
F32T8	2	32	32 / 0	0.19	64	0.88	10	0.99	1.70	1.38	
	1			0.12	40	0.92	15			2.30	
F32T8/ES (30W)	2	30	60 / 16	0.17	59	0.92	10			1.56	
	1			0.11	38	1.00	15			2.63	
F32T8/ES (28W)	2	28		0.16	56	0.93	10			1.66	
	1			0.10	35	1.01	15			2.89	
F32T8/ES (25W)	2	25		0.15	53	0.93	10			1.75	
	1			0.10	33	1.00	15			3.03	
F25T8	2	25		32 / 0	0.16	52	0.90			10	1.73
	1				0.10	32	0.93			15	2.91
F17T8	2	17			0.13	38	0.95			15	2.50
	1				0.09	25	0.94			15	3.76

## REGULATORY COMPLIANCE

- Meets ANSI Standard C82.11
- Meets ANSI Standard C62.41
- Meets FCC Part 18 Class A for EMI & RFI (Non-Consumer Limits)
- No PCB's
- cULus Listed (Class P, Type 1 Outdoor, Type HL)
- RoHS Compliant



ULTRASAVE LIGHTING LTD.

12-140 AMBER STREET, MARKHAM, ON L3R 3J8

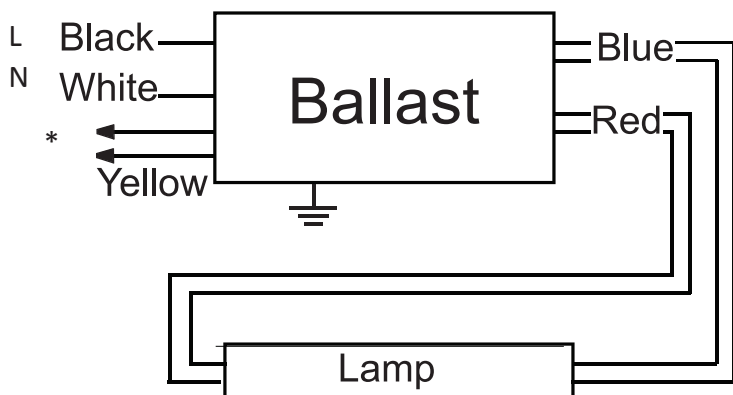
TEL 905.940.0888

FAX 905.940.0338

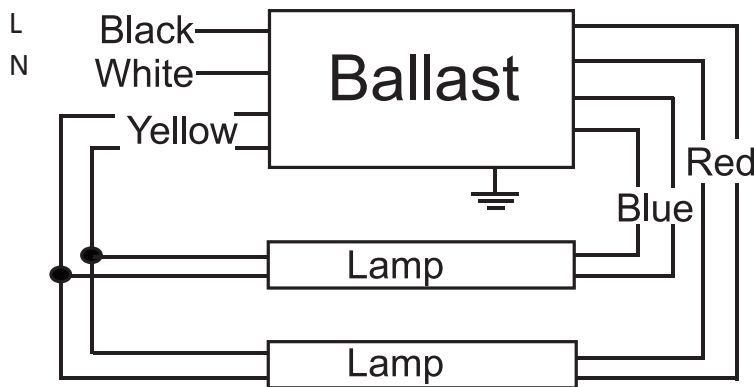
WWW.ULTRASAVE.CA

## PHYSICAL CHARACTERISTICS

### WIRING DIAGRAM



\*Cap off each Yellow wire separately



### LEAD LENGTH

Wire	in
Black	18
White	18
Blue	31
Red	31
Yellow	46

### CASE DIMENSIONS

Overall (L)	9.50"
Width (W)	1.72"
Height (H)	1.18"
Mounting (M)	8.90"

## ORDERING INFORMATION

Model #	Carton Weight	Carton Dimensions LxWxH	Carton Quantity	Skid Quantity	Bulk Quantity
PR232347	28.70 lbs	11.02" x 10.63" x 9.06"	20	1000	1104

### ULTRASAVE LIGHTING LTD.

12-140 AMBER STREET, MARKHAM, ON L3R 3J8 TEL 905.940.0888 FAX 905.940.0338 WWW.ULTRASAVE.CA