

# ULTRASAVE

## PR232120M



<b>Ballast Type:</b>	Electronic	<b>Starting Method:</b>	Rapid Start
<b>Lamp Connection:</b>	Series	<b>Input Voltage:</b>	120 to 277
<b>Input Frequency:</b>	50/60 Hz	<b>Sound Rating:</b>	A
<b>Remote Mounting:</b>	18 ft Maximum	<b>Warranty:</b>	Five Years
<b>End-of-Life Protection:</b>	No	<b>Max. Case Temperature:</b>	90°C

## ELECTRICAL SPECIFICATIONS

Lamp Type	# of Lamps	Rated Lamp Watts	Min. Start Temp. (°F/°C)	Input Current (Amps)	Input Power (Watts)	Ballast Factor	Max THD %	Power Factor	Max. L.C.C.F.	B.E.F												
F32T8	2	32	32 / 0	0.53 / 0.23	64	0.88	10	0.99	1.70	1.38												
	1			0.34 / 0.15	40	0.92	15			2.30												
F32T8/ES (30W)	2	30	60 / 16	0.49 / 0.21	59	0.88	10			0.99	1.70	1.49										
	1			0.29 / 0.13	35	0.93	15					2.66										
F32T8/ES (28W)	2	28		60 / 16	0.46 / 0.20	56	0.89					10	0.99	1.70	1.59							
	1				0.27 / 0.13	33	0.93					15			2.82							
F32T8/ES (25W)	2	25			60 / 16	0.43 / 0.19	52					0.90			10	0.99	1.70	1.73				
	1					0.26 / 0.12	31					0.93			15			0.98	3.00			
F25T8	2	25				32 / 0	0.43 / 0.19					52			0.90			10	0.99	1.70	1.73	
	1						0.27 / 0.12					32			0.93			15			0.98	2.91
F17T8	2	17					32 / 0	0.31 / 0.13	38			0.93			15			0.99			1.70	2.45
	1							0.21 / 0.09	25			0.94			15							0.98

## REGULATORY COMPLIANCE

- Meets ANSI Standard C82.11
- Meets ANSI Standard C62.41
- Meets FCC Part 18 Class A for EMI & RFI (Non-Consumer Limits)
- No PCB's
- cULus Listed (Class P, Type 1 Outdoor, Type HL)
- RoHS Compliant



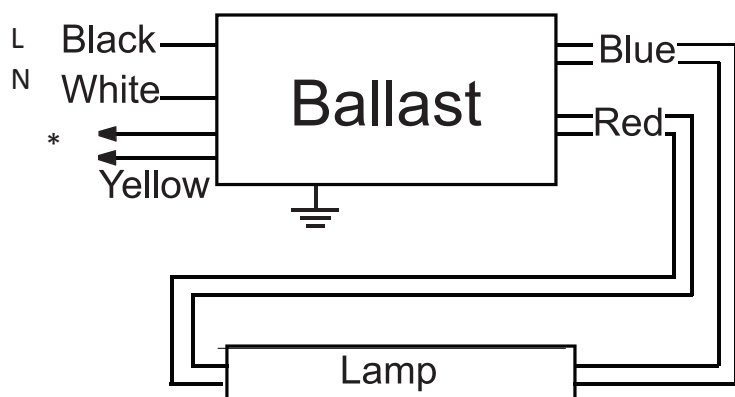
ULTRASAVE LIGHTING LTD.

12-140 AMBER STREET, MARKHAM, ON L3R 3J8 TEL 905.940.0888 FAX 905.940.0338 WWW.ULTRASAVE.CA

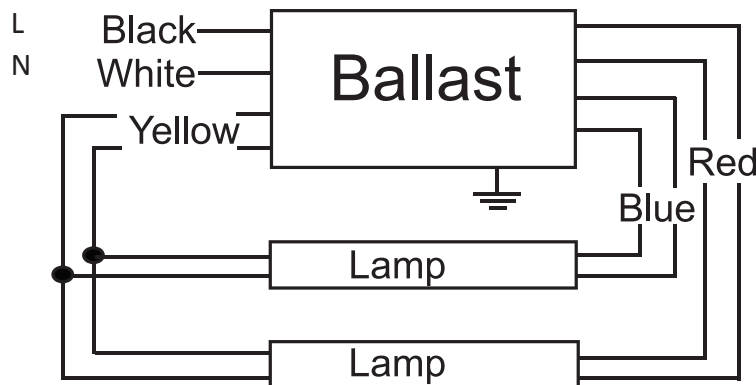
Data published here is based on the result of a test under a controlled environment. Actual performance can vary depending on operating conditions. Specifications are subject to change without notice. H0411USL

## PHYSICAL CHARACTERISTICS

### WIRING DIAGRAM



\*Cap off each Yellow wire separately



### LEAD LENGTH

Wire	in
Black	18
White	18
Blue	31
Red	31
Yellow	46

### CASE DIMENSIONS

Overall (L)	9.50"
Width (W)	1.72"
Height (H)	1.18"
Mounting (M)	8.90"

## ORDERING INFORMATION

Model #	Carton Weight	Carton Dimensions LxWxH	Carton Quantity	Skid Quantity	Bulk Quantity
PR232120M	28.70 lbs	11.02" x 10.63" x 9.06"	20	1000	1104

### ULTRASAVE LIGHTING LTD.

12-140 AMBER STREET, MARKHAM, ON L3R 3J8 TEL 905.940.0888 FAX 905.940.0338 WWW.ULTRASAVE.CA