

PR232120M-D



Ballast Type:	Electronic Dimming	Starting Method:	Programmed Start
Lamp Connection:	Series	Input Voltage:	120 to 277
Input Frequency:	50/60 Hz	Sound Rating:	A
Remote Mounting:	10 ft Maximum	Warranty:	Five Years
End-of-Life Protection:	No	Max. Case Temperature:	90°C

ELECTRICAL SPECIFICATIONS

Lamp Type	# of Lamps	Rated Lamp Watts	Min. Start Temp. (°F/°C)	Input Current (Amps)	Input Power (Watts)	Ballast Factor	Max THD %	Power Factor	Max. L.C.C.F.	B.E.F
F32T8	2	32	50 / 10	0.57~0.13 @120V	67 ~ 16	1.00 ~ 0.05	10	0.99	1.70	1.49
				0.24~0.06 @277V						
F32T8/ES (30W)		30	60 / 16	0.55~0.13 @120V	65 ~ 16	1.02 ~ 0.05				1.57
				0.23~0.06 @277V						
F32T8/ES (28W)		28	60 / 16	0.52~0.13 @120V	62 ~ 16	1.08 ~ 0.06				1.74
				0.22~0.06 @277V						
F32T8/ES (25W)		25	60 / 16	0.40~0.10 @120V	47 ~ 11	1.10 ~ 0.05				2.34
				0.17~0.04 @277V						

REGULATORY COMPLIANCE

- Meets ANSI Standard C82.11
- Meets ANSI Standard C62.41
- Meets FCC Part 18 Class A for EMI & RFI (Non-Consumer Limits)
- No PCB's
- cULus Listed (Class P, Type 1 Outdoor, Type HL)
- RoHS Compliant



ULTRASAVE LIGHTING LTD.

12-140 AMBER STREET, MARKHAM, ON L3R 3J8

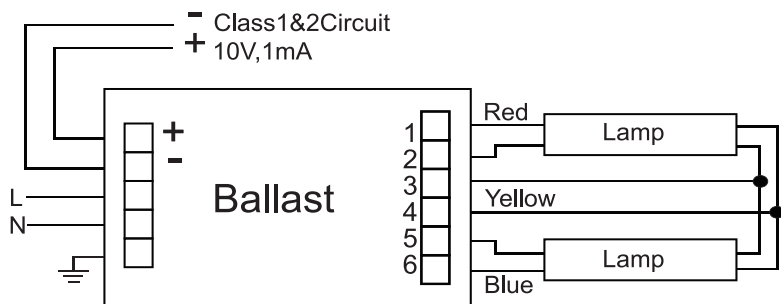
TEL 905.940.0888

FAX 905.940.0338

WWW.ULTRASAVE.CA

PHYSICAL CHARACTERISTICS

WIRING DIAGRAM



CASE DIMENSIONS

Overall (L)	15.50"
Width (W)	1.49"
Height (H)	1.14"
Mounting (M)	15.20"

ORDERING INFORMATION

Model #	Carton Weight	Carton Dimensions LxWxH	Carton Quantity	Skid Quantity
PR232120M-D	16.80 lbs	16.54" x 8.86" x 7.09"	10	500

ULTRASAVE LIGHTING LTD.

12-140 AMBER STREET, MARKHAM, ON L3R 3J8

TEL 905.940.0888

FAX 905.940.0338

WWW.ULTRASAVE.CA