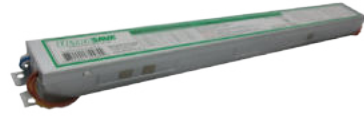


## ER435347HT-W



<b>Ballast Type:</b>	Electronic	<b>Starting Method:</b>	Programmed Start
<b>Lamp Connection:</b>	Two Series Circuits in Parallel	<b>Input Voltage:</b>	347
<b>Input Frequency:</b>	50 / 60 Hz	<b>Sound Rating:</b>	A
<b>Remote Mounting:</b>	18 ft Maximum	<b>Warranty:</b>	Five Years
<b>End-of-Life Protection:</b>	Yes	<b>Max. Case Temperature:</b>	90°C

## ELECTRICAL SPECIFICATIONS

Lamp Type	# of Lamps	Rated Lamp Watts	Min. Start Temp. (°F/°C)	Input Current (Amps)	Input Power (Watts)	Ballast Factor	Max THD %	Power Factor	Max. L.C.C.F.	B.E.F
T5 35W	2	35	-20 / -29	0.25	84	1.00	20	0.96	1.70	1.19
	3			0.35	120	0.96	20	0.98		0.80
	4			0.45	156	0.95	10	0.99		0.61
T5 28W	2	28		0.21	70	1.02	20	0.96		1.46
	3			0.30	101	1.00	20	0.96		0.99
	4			0.38	132	0.99	10	0.99		0.75

## REGULATORY COMPLIANCE

- Meets ANSI Standard C82.11-1993
- Meets ANSI Standard C62.41-1991
- Meets FCC Part 18 Class A for EMI & RFI (Non-Consumer Limits)
- No PCB's
- cULus Listed (Class P, Type 1 Outdoor, Type HL)
- RoHS Compliant



ULTRASAVE LIGHTING LTD.

12-140 AMBER STREET, MARKHAM, ON L3R 3J8

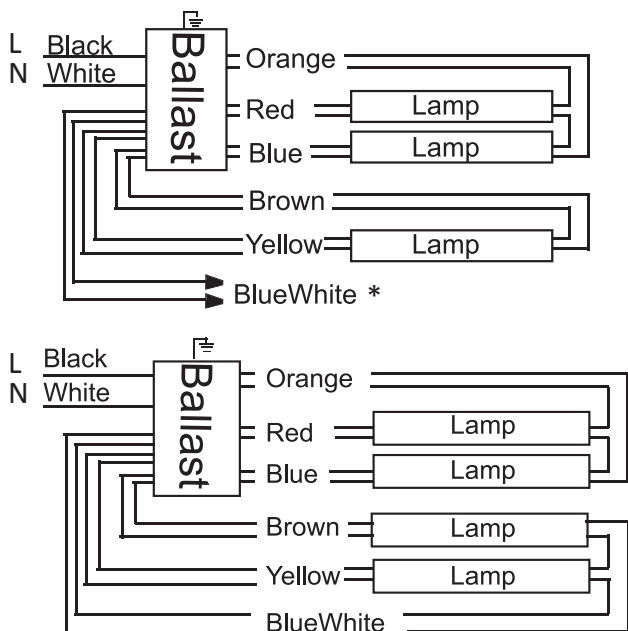
TEL 905.940.0888

FAX 905.940.0338

WWW.ULTRASAVE.CA

## PHYSICAL CHARACTERISTICS

### WIRING DIAGRAM



\* Cap off each BlueWhite wire separately

### LEAD LENGTH

Wire	in
Black	18
White	18
Red	30
Orange	56
Blue	30
Brown	40
Blue/White	48
Yellow	30

### CASE DIMENSIONS

Overall (L)	17.71"
Width (W)	1.72"
Height (H)	1.18"
Mounting (M)	17.24"

## ORDERING INFORMATION

Model #	Carton Weight	Carton Dimensions LxWxH	Carton Quantity	Skid Quantity
ER435347HT-W	27.60 lbs	18.90" x 10.24" x 5.71"	10	500

### ULTRASAVE LIGHTING LTD.

12-140 AMBER STREET, MARKHAM, ON L3R 3J8

TEL 905.940.0888

FAX 905.940.0338

WWW.ULTRASAVE.CA