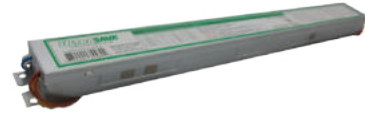


ER435120MHT-W



Ballast Type:	Electronic	Starting Method:	Programmed Start
Lamp Connection:	Two Series Circuits in Parallel	Input Voltage:	120 to 277
Input Frequency:	50/60 Hz	Sound Rating:	A
Remote Mounting:	18 ft Maximum	Warranty:	Five Years
End-of-Life Protection:	Yes	Max. Case Temperature:	90°C

ELECTRICAL SPECIFICATIONS

Lamp Type	# of Lamps	Rated Lamp Watts	Min. Start Temp. (°F/°C)	Input Current (Amps) @120/277V	Input Power (Watts)	Ballast Factor	Max THD % @120V	Power Factor @120V	Max. L.C.C.F.	B.E.F
T5 35W	2	35	-20 / -29	0.74 / 0.32	88	1.00	15	0.98	1.70	1.14
	3			1.06 / 0.46	126	0.96	15	0.99		0.76
	4			1.41 / 0.62	164	0.95	10	0.99		0.58
T5 28W	2	28		0.61 / 0.26	72	1.02	15	0.98		1.42
	3			0.89 / 0.39	105	1.00	15	0.98		0.95
	4			1.16 / 0.51	138	0.99	10	0.99		0.72

REGULATORY COMPLIANCE

- Meets ANSI Standard C82.11-1993
- Meets ANSI Standard C62.41-1991
- Meets FCC Part 18 Class A for EMI & RFI (Non-Consumer Limits)
- No PCB's
- cULus Listed (Class P, Type 1 Outdoor, Type HL)
- RoHS Compliant



ULTRASAVE LIGHTING LTD.

12-140 AMBER STREET, MARKHAM, ON L3R 3J8

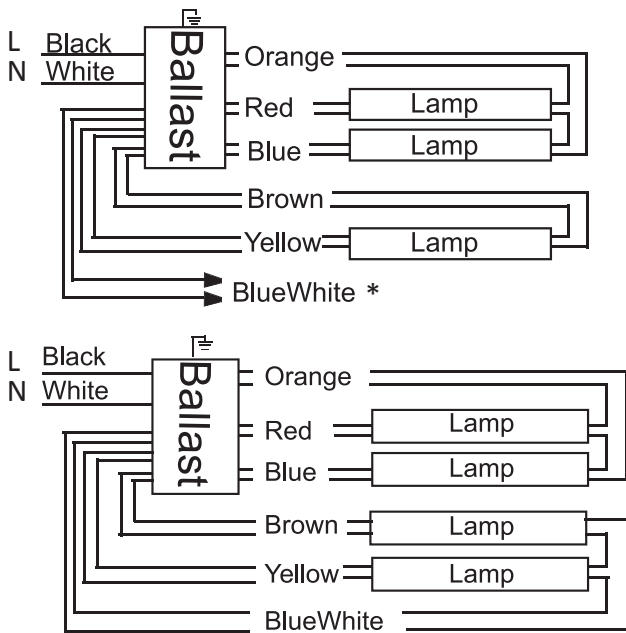
TEL 905.940.0888

FAX 905.940.0338

WWW.ULTRASAVE.CA

PHYSICAL CHARACTERISTICS

WIRING DIAGRAM



* Cap off each BlueWhite wire separately

LEAD LENGTH

Wire	in
Black	18
White	18
Red	30
Orange	56
Blue	30
Brown	40
Blue/White	48
Yellow	30

CASE DIMENSIONS

Overall (L)	17.71"
Width (W)	1.72"
Height (H)	1.18"
Mounting (M)	17.24"

ORDERING INFORMATION

Model #	Carton Weight	Carton Dimensions LxWxH	Carton Quantity	Skid Quantity
ER435120MHT-W	27.60 lbs	18.90" x 10.24" x 5.71"	10	500

ULTRASAVE LIGHTING LTD.

12-140 AMBER STREET, MARKHAM, ON L3R 3J8

TEL 905.940.0888

FAX 905.940.0338

WWW.ULTRASAVE.CA