

ER424347HT-W



Ballast Type:	Electronic	Starting Method:	Programmed Start
Lamp Connection:	Two Series Circuits in Parallel	Input Voltage:	347
Input Frequency:	50/60 Hz	Sound Rating:	A
Remote Mounting:	18 ft Maximum	Warranty:	Five Years
End-of-Life Protection:	Yes	Max. Case Temperature:	90°C

ELECTRICAL SPECIFICATIONS

Lamp Type	# of Lamps	Rated Lamp Watts	Min. Start Temp. (°F/°C)	Input Current (Amps)	Input Power (Watts)	Ballast Factor	Max THD %	Power Factor	Max. L.C.C.F.	B.E.F
T5 24W	3	24	-20 / -29	0.23	81	0.91	10	0.99	1.70	1.12
	4			0.30	105	0.89				0.85

REGULATORY COMPLIANCE

- Meets ANSI Standard C82.11-1993
- Meets ANSI Standard C62.41-1991
- Meets FCC Part 18 Class A for EMI & RFI (Non-Consumer Limits)

- No PCB's
- cULus Listed (Class P, Type 1 Outdoor, Type HL)
- RoHS Compliant



ULTRASAVE LIGHTING LTD.

12-140 AMBER STREET, MARKHAM, ON L3R 3J8

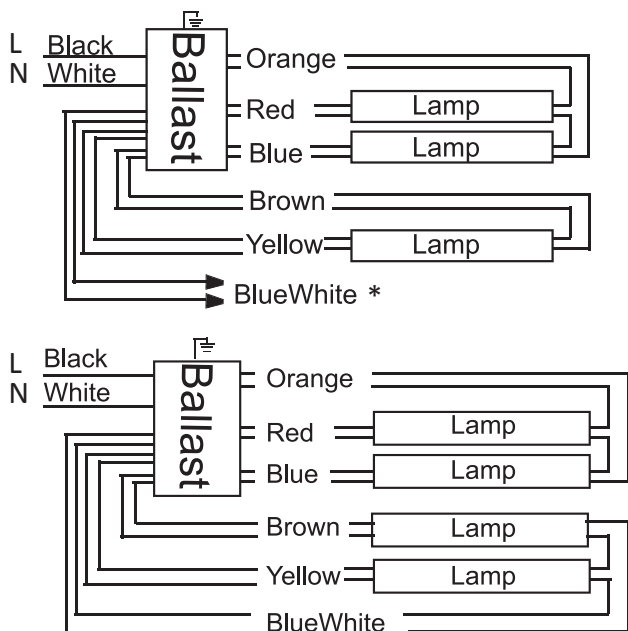
TEL 905.940.0888

FAX 905.940.0338

WWW.ULTRASAVE.CA

PHYSICAL CHARACTERISTICS

WIRING DIAGRAM



* Cap off each BlueWhite wire separately

LEAD LENGTH

Wire	in
Black	18
White	18
Red	30
Orange	46
Blue	30
Brown	40
Blue/White	46
Yellow	30

CASE DIMENSIONS

Overall (L)	17.71"
Width (W)	1.70"
Height (H)	1.14"
Mounting (M)	17.24"

ORDERING INFORMATION

Model #	Carton Weight	Carton Dimensions LxWxH	Carton Quantity	Skid Quantity
ER424347HT-W	24.14 lbs	18.90" x 10.24" x 5.71"	10	500

ULTRASAVE LIGHTING LTD.

12-140 AMBER STREET, MARKHAM, ON L3R 3J8

TEL 905.940.0888

FAX 905.940.0338

WWW.ULTRASAVE.CA