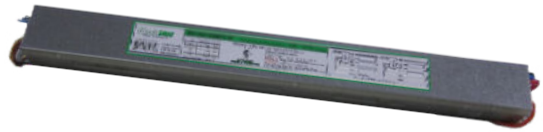


ER424120MHT-W



Ballast Type:	Electronic	Starting Method:	Programmed Start
Lamp Connection:	Two Series Circuits in Parallel	Input Voltage:	120 to 277
Input Frequency:	50/60 Hz	Sound Rating:	A
Remote Mounting:	18 ft Maximum	Warranty:	Five Years
End-of-Life Protection:	Yes	Max. Case Temperature:	90°C

ELECTRICAL SPECIFICATIONS

Lamp Type	# of Lamps	Rated Lamp Watts	Min. Start Temp. (°F/°C)	Input Current (Amps)	Input Power (Watts)	Ballast Factor	Max THD %	Power Factor	Max. L.C.C.F.	B.E.F
T5 24W	3	24	-20 / -29	0.68 / 0.30	81	0.90	10	0.99	1.50	1.11
	4			0.88 / 0.38	105	0.89				0.85

REGULATORY COMPLIANCE

- Meets ANSI Standard C82.11-1993
- Meets ANSI Standard C62.41-1991
- Meets FCC Part 18 Class A for EMI & RFI (Non-Consumer Limits)

- No PCB's
- cULus Listed (Class P, Type 1 Outdoor, Type HL)
- RoHS Compliant



ULTRASAVE LIGHTING LTD.

12-140 AMBER STREET, MARKHAM, ON L3R 3J8

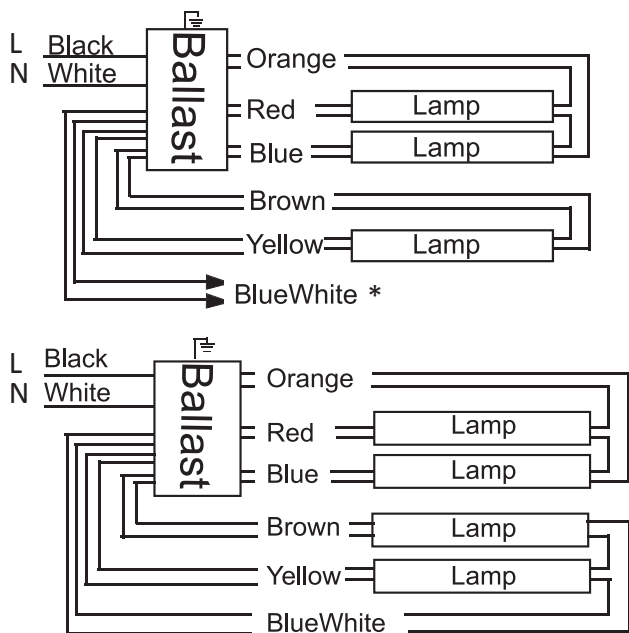
TEL 905.940.0888

FAX 905.940.0338

WWW.ULTRASAVE.CA

PHYSICAL CHARACTERISTICS

WIRING DIAGRAM



* Cap off each BlueWhite wire separately

LEAD LENGTH

Wire	in
Black	18
White	18
Red	30
Orange	46
Blue	30
Brown	40
BlueWhite	46
Yellow	30

CASE DIMENSIONS

Overall (L)	17.71"
Width (W)	1.70"
Height (H)	1.14"
Mounting (M)	17.24"

ORDERING INFORMATION

Model #	Carton Weight	Carton Dimensions LxWxH	Carton Quantity	Skid Quantity
ER424120MHT-W	24.84 lbs	18.90" x 10.24" x 5.71"	10	500

ULTRASAVE LIGHTING LTD.

12-140 AMBER STREET, MARKHAM, ON L3R 3J8

TEL 905.940.0888

FAX 905.940.0338

WWW.ULTRASAVE.CA