

## ER235347MHT



<b>Ballast Type:</b>	Electronic	<b>Starting Method:</b>	Programmed Start
<b>Lamp Connection:</b>	Series	<b>Input Voltage:</b>	277 to 347
<b>Input Frequency:</b>	50/60 Hz	<b>Sound Rating:</b>	A
<b>Remote Mounting:</b>	18 ft Maximum	<b>Warranty:</b>	Five Years
<b>End-of-Life Protection:</b>	Yes	<b>Max. Case Temperature:</b>	90°C

## ELECTRICAL SPECIFICATIONS

Lamp Type	# of Lamps	Rated Lamp Watts	Min. Start Temp. (°F/°C)	Input Current (Amps)	Input Power (Watts)	Ballast Factor	Max THD %	Power Factor	Max. L.C.C.F.	B.E.F
F28T5	2	28	-20 / -29	0.22 / 0.18	60	1.00	10	0.99	1.50	1.67
	1			0.11 / 0.09	30					3.33
F35T5	2	35		0.29 / 0.23	80					1.25
	1			0.15 / 0.12	40	2.50				
F32T8/ES (28W)	2	28		0.20 / 0.16	55	0.90				1.64
F32T8/ES (25W)	2	25		0.19 / 0.15	52	0.90				1.73

## REGULATORY COMPLIANCE

- Meets ANSI Standard C82.11
- Meets ANSI Standard C62.41
- Meets FCC Part 18 Class A for EMI & RFI (Non-Consumer Limits)
- No PCB's
- cULus Listed (Class P, Type 1 Outdoor, Type HL)
- RoHS Compliant



ULTRASAVE LIGHTING LTD.

12-140 AMBER STREET, MARKHAM, ON L3R 3J8

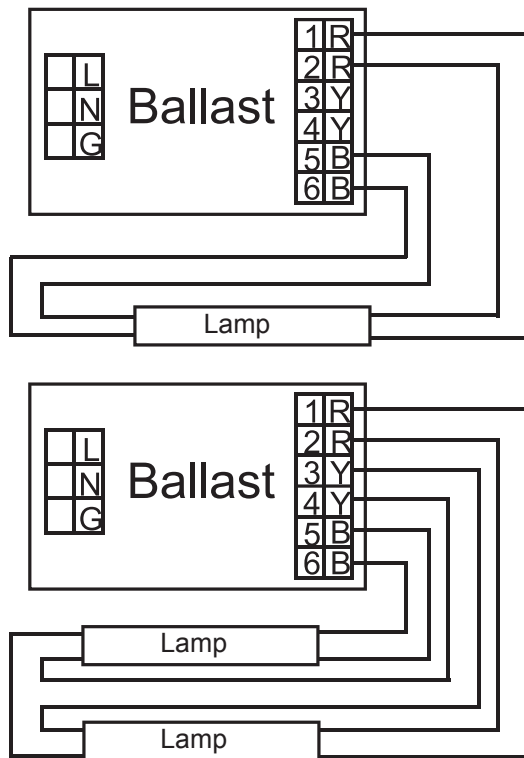
TEL 905.940.0888

FAX 905.940.0338

WWW.ULTRASAVE.CA

## PHYSICAL CHARACTERISTICS

### WIRING DIAGRAM



### CASE DIMENSIONS

Overall (L)	12.83"
Width (W)	1.32"
Height (H)	1.13"
Mounting (M)	12.52"

## ORDERING INFORMATION

Model #	Carton Weight	Carton Dimensions LxWxH	Carton Quantity	Skid Quantity	Bulk Quantity
ER235347MHT	21.00 lbs	13.98" x 8.66" x 6.30"	20	1000	1530

### ULTRASAVE LIGHTING LTD.

12-140 AMBER STREET, MARKHAM, ON L3R 3J8

TEL 905.940.0888

FAX 905.940.0338

WWW.ULTRASAVE.CA