

## ER224347MHT



<b>Ballast Type:</b>	Electronic	<b>Starting Method:</b>	Programmed Start
<b>Lamp Connection:</b>	Series	<b>Input Voltage:</b>	277 to 347
<b>Input Frequency:</b>	50/60 Hz	<b>Sound Rating:</b>	A
<b>Remote Mounting:</b>	18 ft Maximum	<b>Warranty:</b>	Five Years
<b>End-of-Life Protection:</b>	Yes	<b>Max. Case Temperature:</b>	90°C

## ELECTRICAL SPECIFICATIONS

Lamp Type	# of Lamps	Rated Lamp Watts	Min. Start Temp. (°F/°C)	Input Current (Amps)	Input Power (Watts)	Ballast Factor	Max THD %	Power Factor	Max. L.C.C.F.	B.E.F
T5 24W	1	24	-20 / -29	0.10 / 0.08	26	1.02	10	0.99	1.50	3.92
	2			0.19 / 0.15	51	1.00				1.96

## REGULATORY COMPLIANCE

- Meets ANSI Standard C82.11
- Meets ANSI Standard C62.41
- Meets FCC Part 18 Class A for EMI & RFI (Non-Consumer Limits)

- No PCB's
- cULus Listed (Class P, Type 1 Outdoor, Type HL)
- RoHS Compliant



### ULTRASAVE LIGHTING LTD.

12-140 AMBER STREET, MARKHAM, ON L3R 3J8

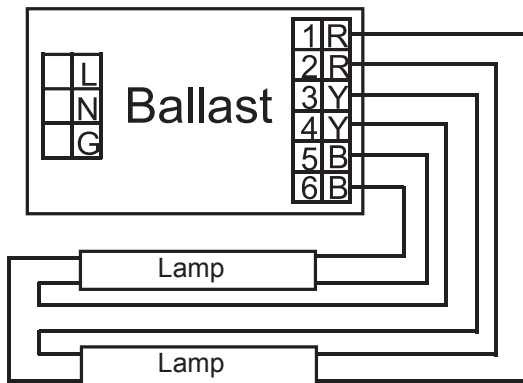
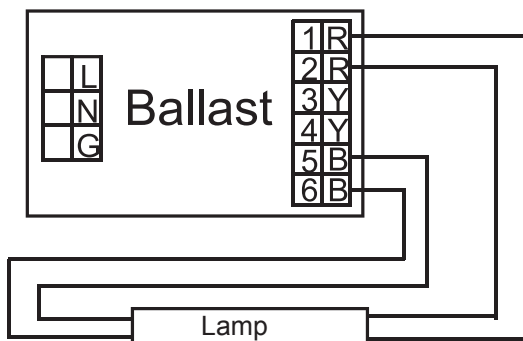
TEL 905.940.0888

FAX 905.940.0338

WWW.ULTRASAVE.CA

## PHYSICAL CHARACTERISTICS

### WIRING DIAGRAM



### CASE DIMENSIONS

Overall (L)	9.50"
Width (W)	1.72"
Height (H)	1.18"
Mounting (M)	8.90"

## ORDERING INFORMATION

Model #	Carton Weight	Carton Dimensions LxWxH	Carton Quantity	Skid Quantity
ER224347MHT	21.00 lbs	13.98" x 10.63" x 6.30"	20	1000

### ULTRASAVE LIGHTING LTD.

12-140 AMBER STREET, MARKHAM, ON L3R 3J8

TEL 905.940.0888

FAX 905.940.0338

WWW.ULTRASAVE.CA