

UT275120M



| | | | |
|-------------------------|---------------|------------------------------|---------------|
| Ballast Type: | Electronic | Starting Method: | Instant Start |
| Lamp Connection: | Parallel | Input Voltage: | 120 to 277 |
| Input Frequency: | 50/60 Hz | Sound Rating: | A |
| Remote Mounting: | 18 ft Maximum | Warranty: | Five Years |
| EOL Protection: | No | Max Case Temperature: | 70°C |

ELECTRICAL SPECIFICATIONS

| Lamp Type | # of Lamps | Rated Lamp Watts | Min. Start Temp. (°F/°C) | Input Current (Amps) | Input Power (Watts) | Ballast Factor | Max THD % | Power Factor | Max L.C.C.F. | B.E.F |
|-----------|------------|------------------|--------------------------|----------------------|---------------------|----------------|-----------|--------------|--------------|-------|
| F96T12 | 2 | 75 | 32 / 0 | 1.28 / 0.54 | 146 | 0.94 | 15 | 0.99 | 1.60 | 0.64 |
| | 1 | | | 0.80 / 0.34 | 95 | 1.19 | | | | 1.25 |
| F96T12/ES | 2 | 60 | 60 / 16 | 0.99 / 0.42 | 117 | 1.00 | 10 | 0.99 | 1.60 | 0.85 |
| | 1 | | | 0.60 / 0.26 | 72 | 1.14 | | | | 1.58 |
| F60T12 | 2 | 50 | 32 / 0 | 0.81 / 0.35 | 96 | 1.00 | 10 | 0.99 | 1.60 | 1.04 |
| | 1 | | | 0.51 / 0.23 | 60 | 1.20 | | | | 2.00 |

REGULATORY COMPLIANCE

- Meets ANSI Standard C82.11
- Meets ANSI Standard C62.41
- Meets FCC Part 18 Class A for EMI & RFI (Non-Consumer Limits)

- No PCB's
- RoHS Compliant
- cULus Listed (Class P, Type 1 Outdoor, Type HL)



ULTRASAVE LIGHTING LTD.

12-140 AMBER STREET, MARKHAM, ON L3R 3J8

TEL 905.940.0888

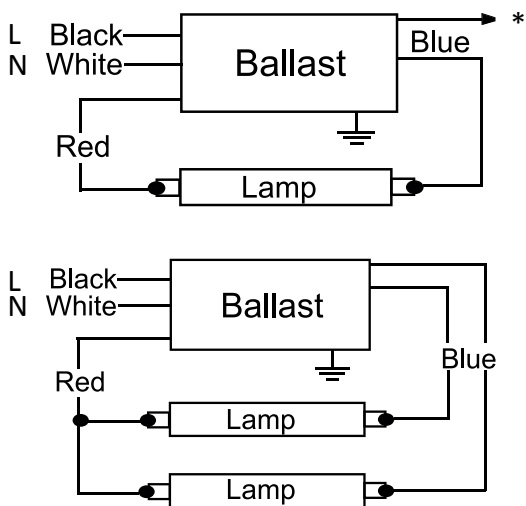
FAX 905.940.0338

WWW.ULTRASAVE.CA

Data published here is based on the result of a test under a controlled environment. Actual performance can vary depending on operating conditions. Specifications are subject to change without notice. F2912USL

PHYSICAL CHARACTERISTICS

WIRING DIAGRAM



*Cap off one blue wire separately

LEAD LENGTH

| Wire | in |
|-------|----|
| Black | 18 |
| White | 18 |
| Blue | 69 |
| Red | 39 |

CASE DIMENSIONS

| | |
|--------------|-------|
| Overall (L) | 9.50" |
| Width (W) | 2.28" |
| Height (H) | 1.38" |
| Mounting (M) | 8.90" |

ORDERING INFORMATION

| Model # | Carton Quantity | Carton Weight | Carton Dimensions LxWxH | Skid Quantity | Bulk Quantity |
|-----------|-----------------|---------------|--------------------------|---------------|---------------|
| UT275120M | 20 | 46.30 lbs | 14.57" x 10.63" x 10.24" | 700 | 728 |

ULTRASAVE LIGHTING LTD.

12-140 AMBER STREET, MARKHAM, ON L3R 3J8

TEL 905.940.0888

FAX 905.940.0338

WWW.ULTRASAVE.CA

Data published here is based on the result of a test under a controlled environment. Actual performance can vary depending on operating conditions. Specifications are subject to change without notice. F2912USL