

MB285347HO



Ballast Type:	Magnetic	Starting Method:	Rapid Start
Lamp Connection:	Series	Input Voltage:	347
Input Frequency:	60 Hz	Sound Rating:	C
Remote Mounting:	18 ft Maximum	Warranty:	Three Years
End-of-Life Protection:	No	Max. Case Temperature:	90°C

ELECTRICAL SPECIFICATIONS

Lamp Type	# of Lamps	Rated Lamp Watts	Min. Start Temp. (°F/°C)	Input Current (Amps)	Input Power (Watts)	Ballast Factor	Max THD %	Power Factor	Max. L.C.C.F.	B.E.F
F24T12/HO	2	35	-20 / -29	0.35	95	0.78	45	0.78	2.10	0.82
F30T12/HO	2	40		0.35	100	0.81	30	0.87	2.00	0.81
F36T12/HO	2	50		0.35	107	0.82	35	0.89	2.00	0.77
F42T12/HO	2	55		0.39	126	0.92	35	0.94	2.00	0.73
F48T12/HO	1	60		0.32	79	0.78	50	0.72	2.00	0.99
	2	60		0.40	133	0.85	20	0.95	1.90	0.64
F60T12/HO	1	75		0.33	90	0.77	40	0.80	2.00	0.86
	2	75		0.48	163	0.86	20	0.97	1.90	0.53
F64T12/HO	1	80		0.35	99	0.83	40	0.84	2.00	0.84
	2	80		0.52	178	0.90	15	0.99	1.80	0.51
F72T12/HO	1	85		0.34	100	0.83	35	0.85	2.00	0.83
	2	85		0.56	193	0.91	15	0.99	1.80	0.47
F84T12/HO	1	100		0.36	113	0.83	30	0.92	2.00	0.73
	2	100		0.61	209	0.90	15	0.99	1.70	0.43
F96T12/HO	1	110	0.40	136	0.84	25	0.94	1.90	0.62	
F96T12/HO/ES	1	95	60 / 16	0.34	102	0.79	35	0.86	2.00	0.77

REGULATORY COMPLIANCE

- Meets ANSI Standard C82.11
- Meets FCC Part 18 Class A for EMI & RFI (Non-Consumer Limits)
- No PCB's
- cULus Listed (Class P, Type 1 Outdoor, Type HL)



ULTRASAVE LIGHTING LTD.

12-140 AMBER STREET, MARKHAM, ON L3R 3J8

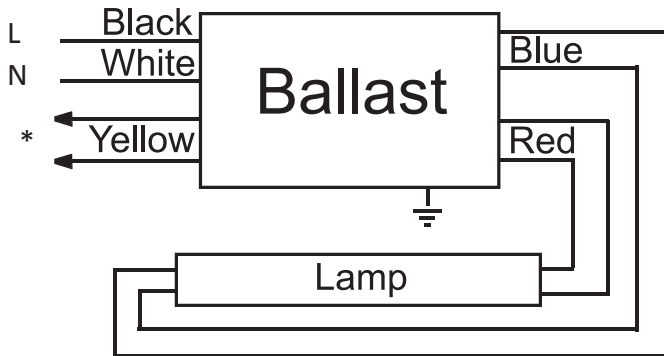
TEL 905.940.0888

FAX 905.940.0338

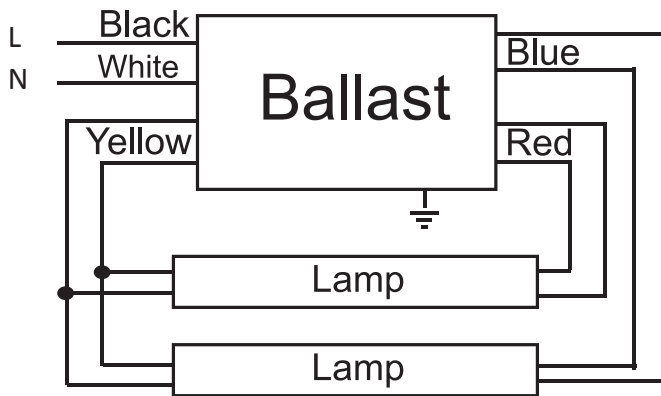
WWW.ULTRASAVE.CA

PHYSICAL CHARACTERISTICS

WIRING DIAGRAM



*Cap off each Yellow wire separately



LEAD LENGTH

Wire	in
Black	14
White	14
Blue	43
Red	43
Yellow	43

CASE DIMENSIONS

Overall (L)	11.73"
Width (W)	3.19"
Height (H)	2.63"
Mounting (M)	11.14"

ORDERING INFORMATION

Model #	Carton Weight	Carton Dimensions LxWxH	Carton Quantity	Skid Quantity
MB285347HO	37.30 lbs	12.44" x 8.15" x 6.30"	4	180

ULTRASAVE LIGHTING LTD.

12-140 AMBER STREET, MARKHAM, ON L3R 3J8

TEL 905.940.0888

FAX 905.940.0338

WWW.ULTRASAVE.CA