

HD400-Q-M59 (KIT)



Ballast Type:	Magnetic	Starting Method:	Regular Start
Lamp Type:	Metal Halide	Input Voltage:	120/208/240/277
Input Frequency:	60Hz	Recommended Fuse:	10/7/5/5
ANSI Code:	M59/H33	Rated Lamp Watts:	400W
Circuit Type:	CWA	Insulation Class:	H (180°C)
Power Factor:	0.95	Input Watts:	440W
Open Circuit Volts:	300V	Min Start Temp (°F/°C):	-22/-30
Nom. Open Circuit Voltage:	300V	Warranty:	Two Years

ELECTRICAL SPECIFICATIONS

Input Volts	Input Current (Amps)			Input Volts at Lamp Dropout	UL1029 Coil Temp. Code	Regulation		Short Circuit Current		
	Operating	Open Circuit	Starting			Line Volts	Lamp Watt	Secondary Current	Input Current	
120	4.00	3.00	3.50	60	F	+/- 10%	400 +/- 10%	3.50-4.30	2.70	4.20
208	2.30	1.75	2.00	104	G				1.55	2.40
240	2.00	1.50	1.75	120	G				1.35	2.10
277	1.75	1.30	1.50	138	F				1.10	1.80

REGULATORY COMPLIANCE

- Complies with ANSI Standards
- cRUus Listed
- UL Class H Thermal Insulation



ULTRASAVE LIGHTING LTD.

12-140 AMBER STREET, MARKHAM, ON L3R 3J8

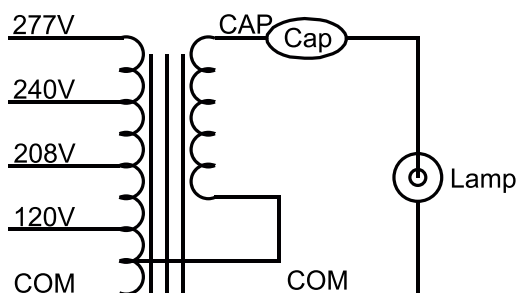
TEL 905.940.0888

FAX 905.940.0338

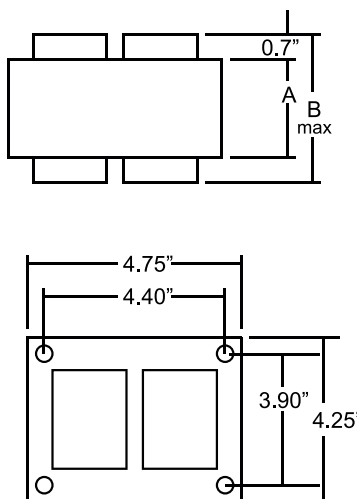
WWW.ULTRASAVE.CA

PHYSICAL CHARACTERISTICS

WIRING DIAGRAM

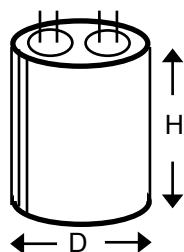


DIMENSIONS



A	2.00"
B	4.00"
Lead	12"
Weight	12 lbs
Ballast to Lamp Distance	10'

CAPACITOR



Temp. Rating	100°C
Capacitance	24uF +/-3%
Volts (min)	400 VAC
Type	Oil Filled
Height	3.75"
Diameter	1.75"

ORDERING INFORMATION

Model #	Box	Box Weight	Box Measurement LxWxH	Bulk	Bulk Weight	Bulk Measurement LxWxH
HD400-Q-M59	1	11.15 lbs	6.50"x4.65"x3.25"	153	1,785.75 lbs	39.75"x41.50"x25.00"

ULTRASAVE LIGHTING LTD.

12-140 AMBER STREET, MARKHAM, ON L3R 3J8

TEL 905.940.0888

FAX 905.940.0338

WWW.ULTRASAVE.CA