

HD250-M58-A (KIT)



Kit Contents:

1. Hardware (Screws, "L" Brackets, Metal Strap)
2. Rubber Boot for Cap.
3. Instructions

Ballast Type:	Magnetic	Starting Method:	Regular Start
Lamp Type:	Metal Halide	Input Voltage:	120/277/347
Input Frequency:	60Hz	Recommended Fuse:	8/3/3
ANSI Code:	M58/H37	Rated Lamp Watts:	250W
Circuit Type:	CWA	Insulation Class:	H (180°C)
Power Factor:	0.90	Input Watts:	295W
Open Circuit Volts:	280-350V	Min Start Temp (°F/°C)	-20/-30
Nom. Open Circuit Voltage:	350V	Warranty:	Two Years

ELECTRICAL SPECIFICATIONS

Input Volts	Input Current (Amps)			Input Volts at Lamp Dropout	UL1029 Coil Temp. Code	Regulation		Short Circuit Current		
	Operating	Open Circuit	Starting			Line Volts	Lamp Watt	Secondary Current	Input Current	
120	2.50	2.10	2.20	60	E	+/-10%	250 +/-10%	2.25-2.75	1.30	2.10
277	1.05	0.90	1.00	138	F				0.50	0.90
347	0.85	0.75	0.80	174	F				0.40	0.80

REGULATORY COMPLIANCE

- Complies with ANSI Standards
- CSA Certified
- cRUus Listed
- UL Class H Thermal Insulation



ULTRASAVE LIGHTING LTD.

12-140 AMBER STREET, MARKHAM, ON L3R 3J8

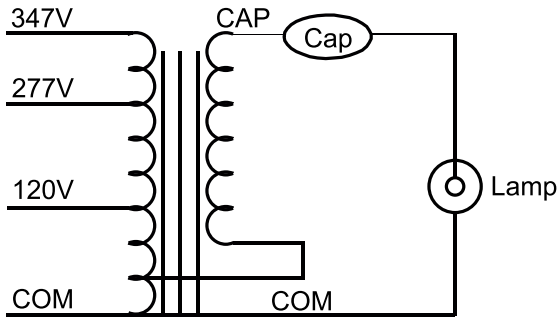
TEL 905.940.0888

FAX 905.940.0338

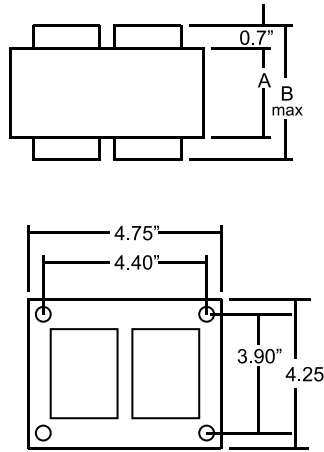
WWW.ULTRASAVE.CA

PHYSICAL CHARACTERISTICS

WIRING DIAGRAM

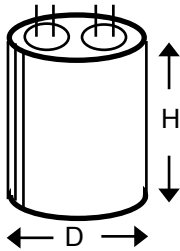


DIMENSIONS



A	1.57"
B	3.10"
Lead	12"
Weight	9 lbs
Ballast to Lamp Distance	10'

CAPACITOR



Temp. Rating	100°C
Capacitance	15uF +/-3%
Volts (min)	400 VAC
Type	Oil Filled
Height	3.25"
Diameter	1.75"

ORDERING INFORMATION

Model #	Box	Box Weight	Box Measurement LxWxH	Bulk	Bulk Weight	Bulk Measurement LxWxH
HD250-M58-A	1	9.50 lbs	8.00"x4.75"x4.75"	168	1,719.50 lbs	39.75"x41.50"x25.00"

ULTRASAVE LIGHTING LTD.

12-140 AMBER STREET, MARKHAM, ON L3R 3J8

TEL 905.940.0888

FAX 905.940.0338

WWW.ULTRASAVE.CA