

ED35-3MH-BL



Ballast Type:	Electronic	Starting Method:	Programmed Cold Start
Protection Feature:	Thermal	Input Voltage:	347
Input Frequency:	50/60 Hz	Sound Rating:	A
Remote Mounting:	5 ft Maximum	Warranty:	Three Years

ELECTRICAL SPECIFICATIONS

ANSI Code	Lamp Type	# of Lamps	Rated Lamp Watts	Min. Start Temp. (°F/°C)	Input Current (Amps)	Input Power (Watts)	Ballast Factor	Max THD %	Power Factor	B.E.F.
M130	Metal Halide	1	35	-22 / -30	0.12	43	1.00	10	0.98	2.33
			39				0.90			2.09

REGULATORY COMPLIANCE

- Meets ANSI Standard C62.41
- Meets FCC Part 18 Class A for EMI & RFI (Non-Consumer Limits)
- RoHS Compliant

- No PCB's
- cULus Listed (Class P, Type 1 Outdoor, Type HL)



ULTRASAVE LIGHTING LTD.

12-140 AMBER STREET, MARKHAM, ON L3R 3J8

TEL 905.940.0888

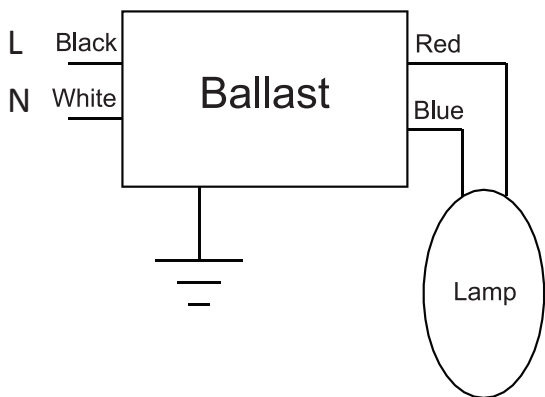
FAX 905.940.0338

WWW.ULTRASAVE.CA

Data published here is based on the result of a test under a controlled environment. Actual performance can vary depending on operating conditions. Specifications are subject to change without notice. A2909USL

PHYSICAL CHARACTERISTICS

WIRING DIAGRAM



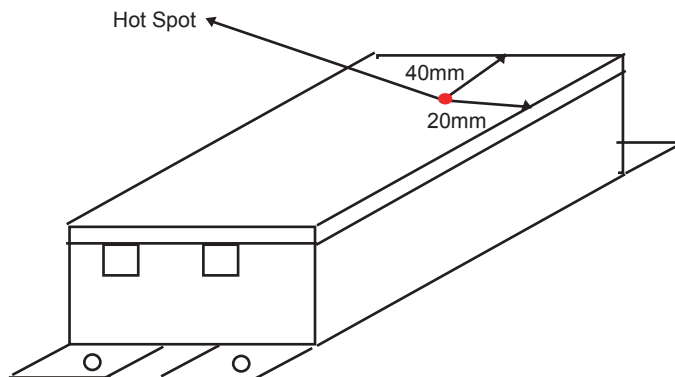
LEAD LENGTH

Wire	in
Black	10
White	10
Blue	10
Red	10

CASE DIMENSIONS

Overall (L)	4.37"
Width (W)	2.98"
Height (H)	1.27"
Mounting (M)	2.00"

HOT SPOT LOCATION



ORDERING INFORMATION

Model #	Carton Weight	Carton Dimensions LxWxH	Carton Quantity	Skid Quantity
ED35-3MH-BL	17.70 lbs	16.54" x 9.84" x 5.12"	20	1000

ULTRASAVE LIGHTING LTD.

12-140 AMBER STREET, MARKHAM, ON L3R 3J8

TEL 905.940.0888

FAX 905.940.0338

WWW.ULTRASAVE.CA

Data published here is based on the result of a test under a controlled environment. Actual performance can vary depending on operating conditions. Specifications are subject to change without notice. A2909USL