

# ULTRASAVE

## ED35-1MMH-BL



<b>Ballast Type:</b>	Electronic	<b>Starting Method:</b>	Programmed Cold Start
<b>Protection Feature:</b>	Thermal	<b>Input Voltage:</b>	120 to 277
<b>Input Frequency:</b>	50/60 Hz	<b>Sound Rating:</b>	A
<b>Remote Mounting:</b>	5 ft Maximum	<b>Warranty:</b>	Three Years

## ELECTRICAL SPECIFICATIONS

ANSI Code	Lamp Type	# of Lamps	Rated Lamp Watts	Min. Start Temp. (°F/°C)	Input Current (Amps)	Input Power (Watts)	Ballast Factor	Max THD %	Power Factor	B.E.F.
M130	Metal Halide	1	35	-22 / -30	0.37/0.16	43	1.00	10	0.99	2.33
			39				0.90			2.09

## REGULATORY COMPLIANCE

- Meets ANSI Standard C62.41
- Meets FCC Part 18 Class A for EMI & RFI (Non-Consumer Limits)
- RoHS Compliant
- No PCB's
- cULus Listed (Class P, Type 1 Outdoor, Type HL)



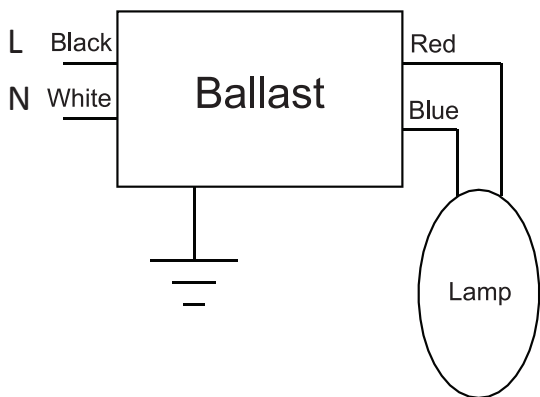
ULTRASAVE LIGHTING LTD.

12-140 AMBER STREET, MARKHAM, ON L3R 3J8 TEL 905.940.0888 FAX 905.940.0338 WWW.ULTRASAVE.CA

Data published here is based on the result of a test under a controlled environment. Actual performance can vary depending on operating conditions. Specifications are subject to change without notice. A2909USL

## PHYSICAL CHARACTERISTICS

### WIRING DIAGRAM



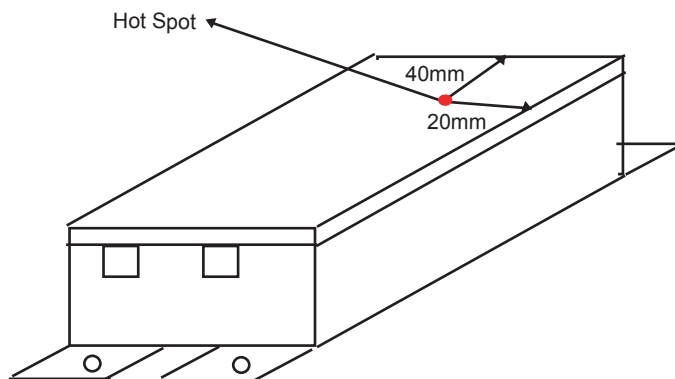
### LEAD LENGTH

Wire	in
Black	10
White	10
Blue	10
Red	10

### CASE DIMENSIONS

Overall (L)	6.22"
Width (W)	1.75"
Height (H)	1.22"
Mounting (M)	5.90"

## HOT SPOT LOCATION



## ORDERING INFORMATION

Model #	Carton Weight	Carton Dimensions LxWxH	Carton Quantity	Skid Quantity
ED35-1MMH	17.20 lbs	16.54" x 9.84" x 5.12"	20	1000

### ULTRASAVE LIGHTING LTD.

12-140 AMBER STREET, MARKHAM, ON L3R 3J8

TEL 905.940.0888

FAX 905.940.0338

WWW.ULTRASAVE.CA

Data published here is based on the result of a test under a controlled environment. Actual performance can vary depending on operating conditions. Specifications are subject to change without notice. A2909USL