

## ED20-3MH



<b>Ballast Type:</b>	Electronic	<b>Starting Method:</b>	Programmed Cold Start
<b>Protection Feature:</b>	Thermal	<b>Input Voltage:</b>	347
<b>Input Frequency:</b>	50/60 Hz	<b>Sound Rating:</b>	A
<b>Remote Mounting:</b>	5 ft Maximum	<b>Warranty:</b>	Three Years

## ELECTRICAL SPECIFICATIONS

ANSI Code	Lamp Type	# of Lamps	Rated Lamp Watts	Min. Start Temp. (°F/°C)	Input Current (Amps)	Input Power (Watts)	Ballast Factor	Max THD %	Power Factor	B.E.F.
M156	Metal Halide	1	20	-22 / -30	0.07	24	1.00	10	0.99	4.17

## REGULATORY COMPLIANCE

- Meets ANSI Standard C62.41-1991
- Meets FCC Part 18 Class A for EMI & RFI (Non-Consumer Limits)
- RoHS Compliant

- No PCB's
- cULus Listed (Class P, Type 1 Outdoor, Type HL)



ULTRASAVE LIGHTING LTD.

12-140 AMBER STREET, MARKHAM, ON L3R 3J8

TEL 905.940.0888

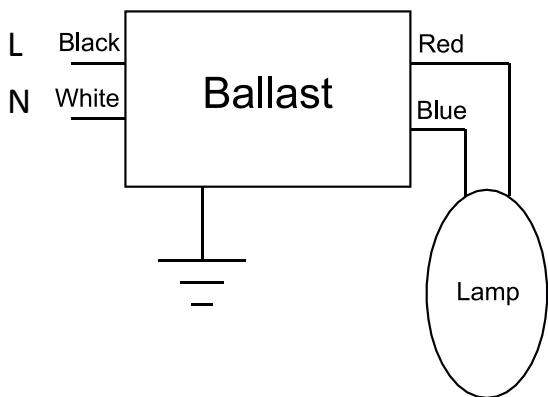
FAX 905.940.0338

WWW.ULTRASAVE.CA

Data published here is based on the result of a test under a controlled environment. Actual performance can vary depending on operating conditions. Specifications are subject to change without notice. H1012USL

## PHYSICAL CHARACTERISTICS

### WIRING DIAGRAM



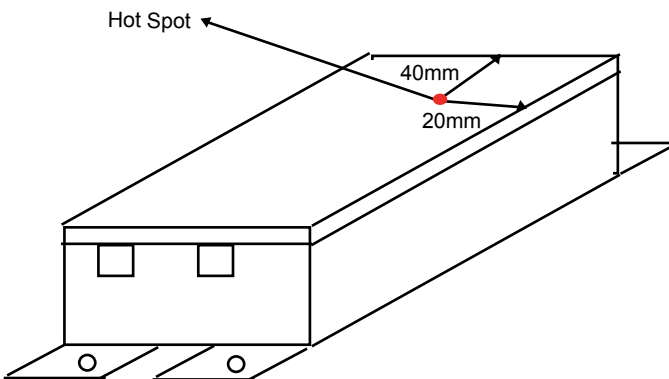
### LEAD LENGTH

Wire	in
Black	10
White	10
Blue	10
Red	10

### CASE DIMENSIONS

Overall (L)	4.37"
Width (W)	2.98"
Height (H)	1.27"
Mounting (M)	4.00"

## HOT SPOT LOCATION



## ORDERING INFORMATION

Model #	Carton Weight	Carton Dimensions LxWxH	Carton Quantity	Skid Quantity
ED20-3MH	16.30 lbs	16.54" x 9.84" x 5.12"	20	1000

### ULTRASAVE LIGHTING LTD.

12-140 AMBER STREET, MARKHAM, ON L3R 3J8

TEL 905.940.0888

FAX 905.940.0338

WWW.ULTRASAVE.CA

Data published here is based on the result of a test under a controlled environment. Actual performance can vary depending on operating conditions. Specifications are subject to change without notice. H1012USL