

ED20-1MMH



| | | | |
|----------------------------|--------------------|-------------------------|-----------------------|
| Ballast Type: | Electronic | Starting Method: | Programmed Cold Start |
| Protection Feature: | Open/Short Circuit | Input Voltage: | 120 to 277 |
| Input Frequency: | 50/60 Hz | Sound Rating: | A |
| Remote Mounting: | 5 ft Maximum | Warranty: | Three Years |

ELECTRICAL SPECIFICATIONS

| ANSI Code | Lamp Type | # of Lamps | Rated Lamp Watts | Min. Start Temp. (°F/°C) | Input Current (Amps) | Input Power (Watts) | Ballast Factor | Max THD % | Power Factor | B.E.F. |
|-----------|--------------|------------|------------------|--------------------------|----------------------|---------------------|----------------|-----------|--------------|--------|
| M156 | Metal Halide | 1 | 20 | -22 / -30 | 0.21 / 0.09 | 24 | 0.99 | 10 | 0.99 | 4.17 |

REGULATORY COMPLIANCE

- Meets ANSI Standard C62.41
- Meets FCC Part 18 Class A for EMI & RFI (Non-Consumer Limits)
- RoHS Compliant
- No PCB's
- cULus Listed (Class P, Type 1 Outdoor, Type HL)



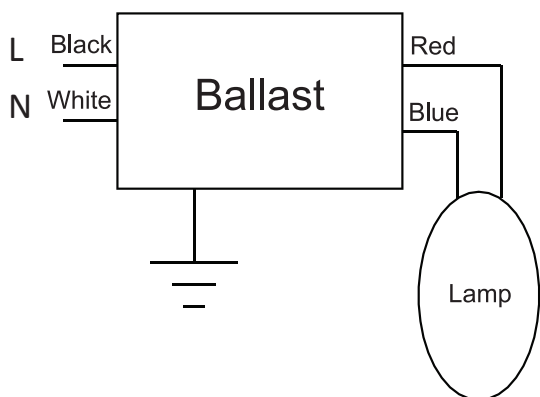
ULTRASAVE LIGHTING LTD.

12-140 AMBER STREET, MARKHAM, ON L3R 3J8 TEL 905.940.0888 FAX 905.940.0338 WWW.ULTRASAVE.CA

Data published here is based on the result of a test under a controlled environment. Actual performance can vary depending on operating conditions. Specifications are subject to change without notice. D2612USL

PHYSICAL CHARACTERISTICS

WIRING DIAGRAM



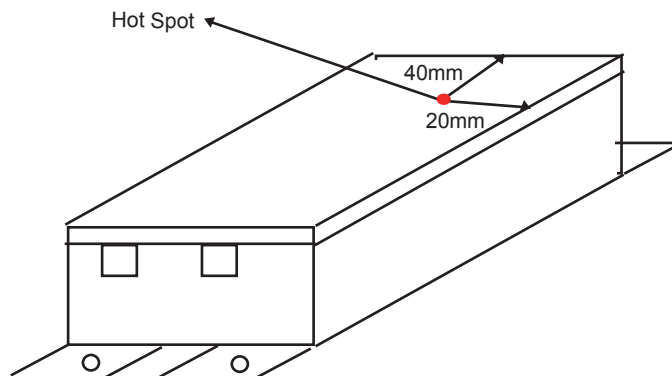
LEAD LENGTH

| Wire | in |
|-------|----|
| Black | 10 |
| White | 10 |
| Blue | 10 |
| Red | 10 |

CASE DIMENSIONS

| | |
|--------------|-------|
| Overall (L) | 4.37" |
| Width (W) | 2.98" |
| Height (H) | 1.27" |
| Mounting (M) | 4.00" |

HOT SPOT LOCATION



ORDERING INFORMATION

| Model # | Carton Weight | Carton Dimensions LxWxH | Carton Quantity | Skid Quantity |
|-----------|---------------|-------------------------|-----------------|---------------|
| ED20-1MMH | 16.30 lbs | 16.54" x 9.84" x 5.12" | 20 | 1000 |

ULTRASAVE LIGHTING LTD.

12-140 AMBER STREET, MARKHAM, ON L3R 3J8

TEL 905.940.0888

FAX 905.940.0338

WWW.ULTRASAVE.CA

Data published here is based on the result of a test under a controlled environment. Actual performance can vary depending on operating conditions. Specifications are subject to change without notice. D2612USL