

## HD250-S50 (KIT)



### Kit Contents:

1. Hardware (Screws, "L" Brackets, Metal Strap)
2. Rubber Boot for Cap.
3. Instructions

<b>Ballast Type:</b>	Magnetic	<b>Starting Method:</b>	Regular Start
<b>Lamp Type:</b>	High Pressure Sodium	<b>Input Voltage:</b>	120/277/347
<b>Input Frequency:</b>	60Hz	<b>Recommended Fuse:</b>	7/3/2
<b>ANSI Code:</b>	S50	<b>Rated Lamp Watts:</b>	250W
<b>Circuit Type:</b>	CWA	<b>Insulation Class:</b>	H (180°C)
<b>Power Factor:</b>	0.90	<b>Input Watts:</b>	295W
<b>Open Circuit Volts:</b>	170-205V	<b>Min Start Temp (°F/°C):</b>	-40/-40
<b>Nom. Open Circuit Voltage:</b>	197V	<b>Warranty:</b>	Two Years

## ELECTRICAL SPECIFICATIONS

Input Volts	Input Current (Amps)			Input Volts at Lamp Dropout	UL1029 Coil Temp. Code	Regulation		Short Circuit Current		
	Operating	Open Circuit	Starting			Line Volts	Lamp Watt	Secondary Current	Input Current	
120	2.70	1.70	1.65	90	E	+/-10%	250	3.70-4.50	0.80	1.40
277	1.15	0.75	0.70	208	E				0.30	0.65
347	0.93	0.70	0.60	260	E				0.25	0.45

## REGULATORY COMPLIANCE

- Complies with ANSI Standards
- CSA Certified
- cRUus Listed
- UL Class H Thermal Insulation



ULTRASAVE LIGHTING LTD.

12-140 AMBER STREET, MARKHAM, ON L3R 3J8

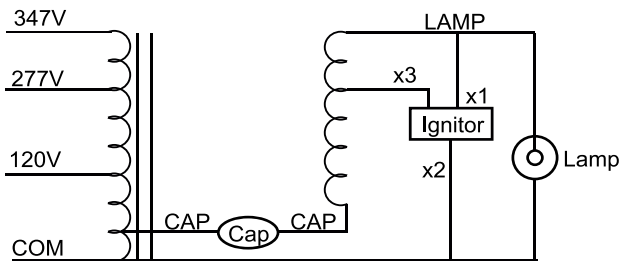
TEL 905.940.0888

FAX 905.940.0338

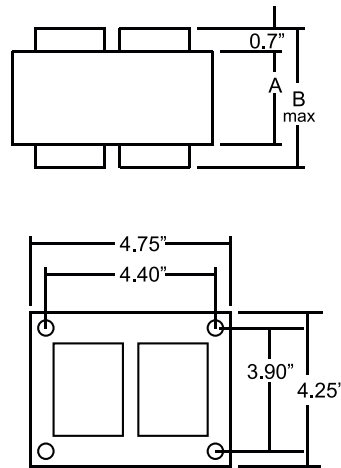
WWW.ULTRASAVE.CA

## PHYSICAL CHARACTERISTICS

### WIRING DIAGRAM

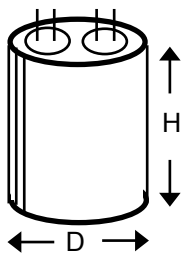


### DIMENSIONS



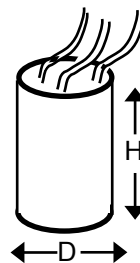
A	1.94"
B	3.60"
Lead	12"
Weight	11.5 lbs
Ballast to Lamp Distance	10'

### CAPACITOR



Temp. Rating	100°C
Capacitance	35uF +/-3%
Volts (min)	330 VAC
Type	Oil Filled
Height	3.75"
Diameter	1.75"

### IGNITOR



Model	HD2541
Temp. Rating	90°C
Lamp Type	HPS
Height	2.50"
Diameter	1.30"

## ORDERING INFORMATION

Model #	Box	Box Weight	Box Measurement LxWxH	Bulk	Bulk Weight	Bulk Measurement LxWxH
HD250-S50	1	12.50 lbs	8.00"x4.75"x4.75"	168	2,182.50 lbs	39.75"x41.50"x25.00"

ULTRASAVE LIGHTING LTD.

12-140 AMBER STREET, MARKHAM, ON L3R 3J8

TEL 905.940.0888

FAX 905.940.0338

WWW.ULTRASAVE.CA

Data published here is based on the result of a test under a controlled environment. Actual performance can vary depending on operating conditions. Specifications are subject to change without notice. G3009USL