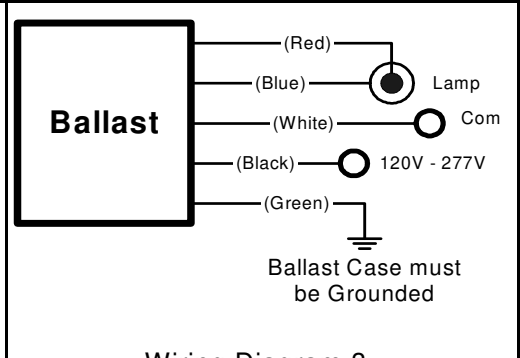
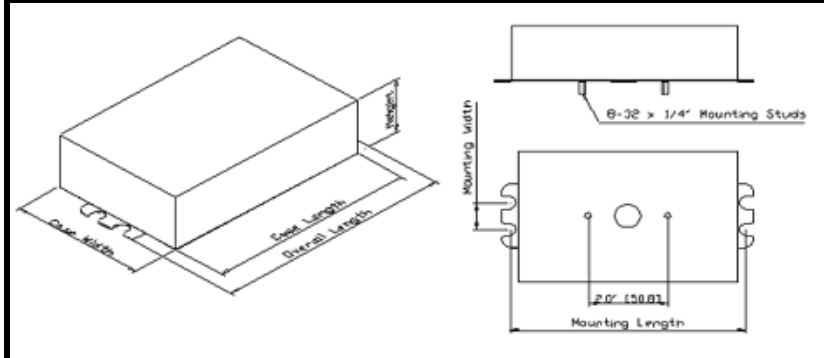
	<b>e-Vision® Electronic Ballast for Metal Halide Lamps</b>	Catalog Number: IMH-70-D For 70W Metal Halide Lamps ANSI C98/M98, C139/M139 or M143 120-277 50/60Hz Electronic Status: RELEASED
---	--	---

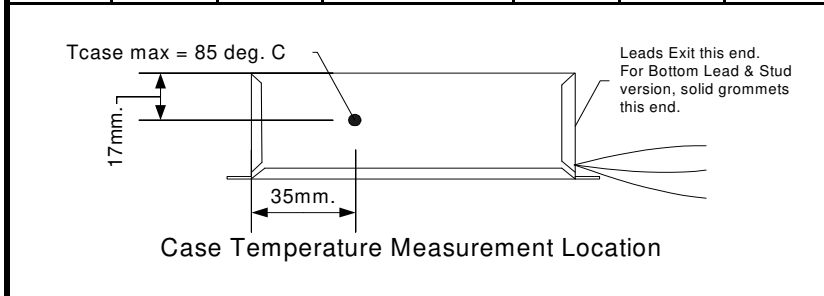
DIMENSIONS AND DATA											
Lamp		Input Volts	Catalog Number*	Line Current (Amps)	Input Power (Watts)	Min Power Factor	Wiring Diag	Fig.	Weight (lb)	Max. Distance to Lamp (ft)	
Number	Watts										

70W Watt Lamp, ANSI Code C98/M98, C139/M139 or M143 Minimum Starting Temp -20°C/-4°F											
1	70	120 277	IMH-70-D-XXX	0.67 0.29	80 79	0.9	3	D	1.5	5	



Case Figure	Overall Length	Case Length	Case Width	Height	Mountin Length	Mounting Width
D	128mm [5.0"]	108mm [4.3"]	77mm [3.0"]	38mm [1.5"]	118mm [4.6"]	19mm [0.7"]

Wiring Diagram 3



- INSTALLATION & APPLICATION NOTES:**
1. Maximum allowable case temperature is 85°C. See figure above for measurement location
  2. Ignition pulse is 4 kV max
  3. All leads are 12 inches long
  4. Ballast output will shutdown after 20 minutes if lamp fails to ignite
  5. Power must be cycled off – then on, after replacing lamp

*Ordering Information	
Order Suffix	Description
-LF	Ballast with side exit leads and mounting feet
-BLS	Ballast with bottom exit leads and mounting studs

Data is based on tests performed by Philips Advance in a controlled environment and is representative of relative performance. Actual performance can vary depending on operating conditions. Specifications are subject to change without notice. All specifications are nominal unless otherwise noted.

## Philips Lighting Electronics N.A.

10275 West Higgins Road • Rosemont, IL 60018 • [www.philips.com/advance](http://www.philips.com/advance)  
 Tel: 800-322-2086 • Fax: 800-423-1882 • Customer Support: 800-372-3331 • OEM Support: 866-915-5886